



**ULTIMATRON  
FRANCE**

**5 YEARS  
WARRANTY**

## Technical sheet

ULTIMATRON LiFePO4 Smart BMS 12.8V 300Ah

Compared with traditional batteries, our lithium iron phosphate batteries (LiFePO4) has many advantages:

- 5 year manufacturer's warranty
- The safest technology, without risk of fire or explosion
- Long service life
- Constantly improving storage capacity
- High stability even under extreme loads
- No memory effect, no need for full charge and discharge cycles
- High performance even under extreme conditions
- Deep and regular discharge and charging efficiency
- Small size and light weight



### Integrated Battery Management System (BMS)

To allow the control and the charge of the different elements of an accumulator battery and to protect it against overcharging, overvoltages and overheating.



It can be connected in parallel. Series connection is not allowed.



### Integrated Bluetooth 4.0 monitoring



You have all important battery data always on your smartphone or tablet. The application displays the data in real time.



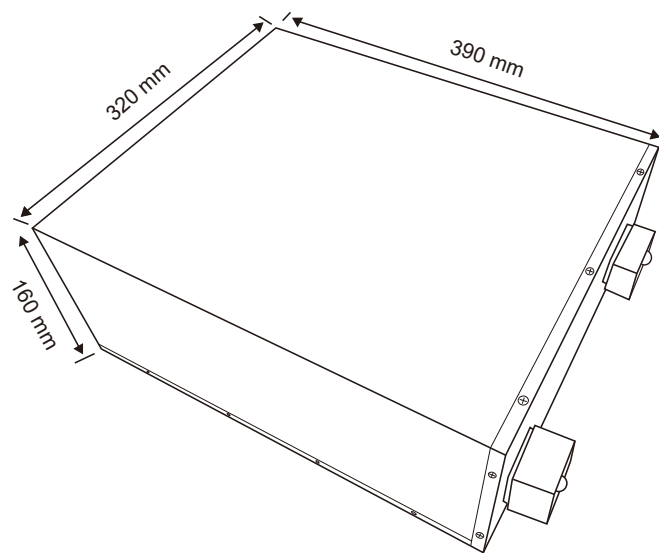


### ULTIMATRON LiFePO4 Smart BMS 12.8V 300Ah

#### ELECTRICAL PERFORMANCE

Nominal Voltage	12.8 V
Nominal Capacity	300 Ah
Capacity @ 60A	300 min
Energy	3840 Wh
Resistance	≤15 mΩ @ 50% SOC
Self Discharge	<3% / Month
Cells	LiFePO4 Cell

#### DIMENSION



Dimensions L320\*W160\*H390 mm

#### CHARGE PERFORMANCE

Recommended Charge Current	100 A
Maximum Charge Current	200 A
Recommended Charge Voltage	14.6 V
Charge Cut-Off Voltage	<15.2 V (0.5 ~ 1.5 s)
Reconnect Voltage	>14.4 V
Balancing Voltage	<14 V

#### DISCHARGE PERFORMANCE

Continuous Discharge Current	50 A
Maximum continuous Discharge Current	200 A
Peak Discharge Cut-Off Current	400 A (3s)
Recommended Low Voltage Disconnect	10 V
Discharge Cut-Off Voltage	>9.6 V (50 ~ 150 ms)
Reconnect Voltage	>10 V
Short Circuit Protection	200 ~ 600 μs

#### MECHANICAL PERFORMANCE

Dimension (L x W x H)	320×160×390 mm
Weight	35 kg
Terminal Type	M8
Terminal Torque	80 ~ 100 in-lbs (9 ~ 11 N-m)
Bluetooth	Bluetooth 4.0 with smartphone app
Case Material	Metal
Enclosure Protection	IP65

#### TEMPERATURE PERFORMANCE

Discharge Temperature	-20 ~ 60 °C
Charge Temperature	0 ~ 45 °C
Storage Temperature	-5 ~ 35 °C
High Temperature Cut-Off	65 °C
Reconnect Temperature	48 °C

#### COMPLIANCE

Certifications	CE UN38.3 UL1642 & IEC62133
Shipping Classification	UN 3480, CLASS 9