



# Technical sheet

## Ultimatron Polar--Underseat of Camping Car 12.8V 150Ah



-35°C



### Compared with traditional batteries, our lithium battery (LiFePO4) with these advantages

- Din Case H8/LN5 (355×175×188mm)
- Integrated Heater, can be charged at the extreme environment in **-35°C**.
- The safest technology, without risk of fire or explosion
- Long service life
- Constantly improving storage capacity
- High stability even under extreme loads
- No memory effect, no need for full charge and discharge cycles
- High performance even under extreme conditions
- Deep and regular discharge and charging efficiency

### Integrated Battery Management System (BMS)

To allow the control and the charge of the different elements of an accumulator battery and to protect it against overcharging, overvoltages and overheating.



Note:  
Parallel Connection Only

### Integrated Bluetooth 4.0 monitoring



You have all important battery data always on your smartphone or tablet. The application displays the data in real time.





### Ultimatron Polar--Underseat of Camping Car 12.8V 150Ah

#### ELECTRICAL PERFORMANCE

Nominal Voltage	12.8 V
Nominal Capacity	150 Ah
Capacity @ 20A	450 min
Energy	1920 Wh
Resistance	≤25 mΩ @ 50% SOC
Self Discharge	<3% / Month
Cells	Prismatic cells 3.2V 50Ah
Number of Cycles	4000@80%D.o.D

#### CHARGE PERFORMANCE

Recommended Charge Current	45A
Maximum Charge Current	75 A
Recommended Charge Voltage	14.6 V
Charge Cut-Off Voltage	<15V (3000 ms)
Reconnect Voltage	>14.4 V
Balancing Voltage	>13 V

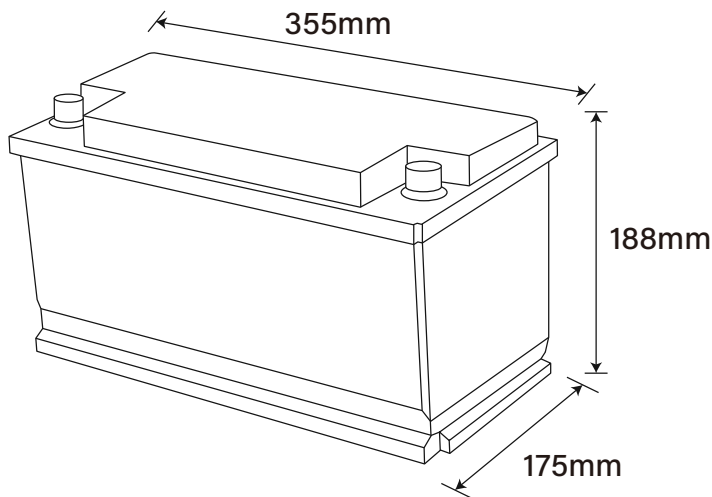
#### DISCHARGE PERFORMANCE

Continuous Discharge Current	50 A
Maximum continuous Discharge Current	200 A
Peak Discharge Cut-Off Current	220 A (15 ~25 S)- 620A(320 ~1280m S)
Recommended Low Voltage Disconnect	10 V
Discharge Cut-Off Voltage	>8.4 V (1000 ms)
Reconnect Voltage	>10.4 V
Short Circuit Protection	1000-2000A ± 400A (200 ~ 800 μs)

#### MECHANICAL PERFORMANCE

Weight	16.35 kg
Terminal Type	M8
Terminal Torque	80 ~ 100 in-lbs (9 ~ 11 N-m)
Case Material	ABS
Enclosure Protection	IP65
Bluetooth	Bluetooth 4.0 with smartphone App
Low temperature heating	<0 °C charging and heating

#### DIMENSION



DIN Standard Dimensions L355 \* W175 \* H188 mm

#### TEMPERATURE PERFORMANCE

Discharge Temperature	-20 ~ 75 °C
Charge Temperature	-20 ~ 50 °C ❄️
Heater Working Temperature	-35 ~ 5 °C ❄️
Storage Temperature	-5 ~ 35 °C
High Temperature Cut-Off	65 °C
Reconnect Temperature	48 °C

#### COMPLIANCE

Certifications	CE UN38.3 UL1642 & IEC62133
Shipping Classification	UN 3480, CLASS 9