



**ULTATRON  
FRANCE**

**5 YEARS  
WARRANTY**

## Technical sheet

ULTATRON LiFePO4 Smart BMS  
Waterproof Portable Lithium Battery ULP-12-280

Compared with traditional marine batteries, our lithium iron phosphate batteries are distinctive for advantages of:

- Ingress Protection Rating: IP65
- Color display of battery status (voltage, charge rate) in a LCD screen
- The safest technology, without risk of fire or explosion
- Long service life
- High stability even under extreme loads
- No memory effect, no need for full charge and discharge cycles
- High performance even under extreme conditions
- Deep and regular discharge and charging efficiency
- Small size and light weight
- 5 years manufacturer's warranty
- Terminal output with M8 diameter for powering motors and power devices.

### Integrated Battery Management System (BMS)

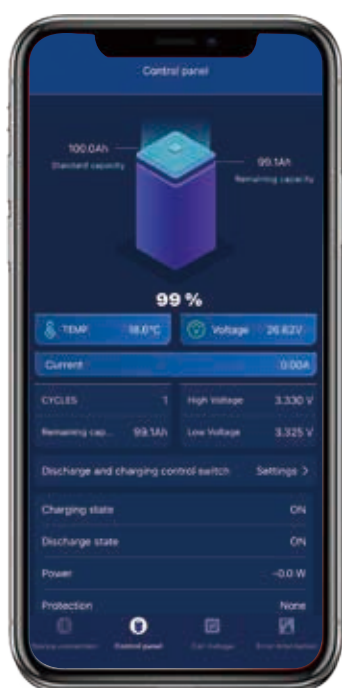
To allow the control and the charge of different elements of an accumulator battery and to protect it against overcharging, over-voltages and overheating.



### Integrated Bluetooth 4.0 monitoring



You have all important battery data always on your smartphone or tablet. The application displays the data in real time.



# TECHNICAL SHEET



## ULTIMATRON LiFePO4 Smart BMS Waterproof Portable Lithium Battery ULP-12-280

### ELECTRICAL PERFORMANCE

Nominal voltage	12.8V
Nominal capacity	280Ah
Energy	3584Wh
Number of cycles	≥6000@80%D.o.D

### CHARGE PERFORMANCE

Recommended charge current	56A
Maximum charge current	200A
Charge mode	0.5C CC to 14.6V, then CV at 14.6V until current ≤ 0.02C

### DISCHARGE PERFORMANCE

Maximum continuous discharge current	200A
Recommended discharge current	56A
Discharge cut-off voltage	10.6V

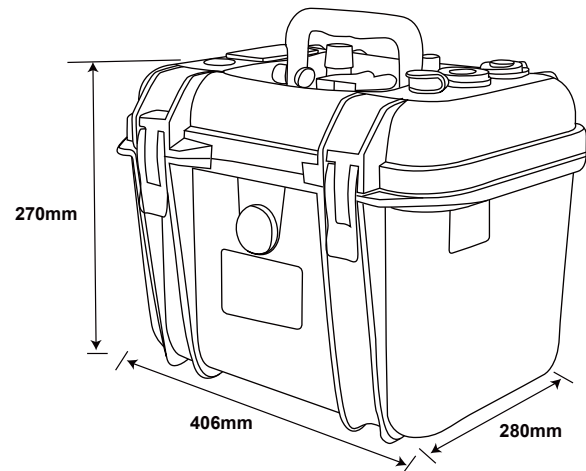
### TEMPERATURE PERFORMANCE

Discharge temperature	-20°C to 60°C (-4°F to 140°F) @60 ± 25% Relative Humidity
Charge temperature	0°C to 45°C (32°F to 113°F) @60 ± 25% Relative Humidity
Storage temperature	0°C to 40°C (32°F to 104°F) @60 ± 25% Relative Humidity

### MECHANICAL PERFORMANCE

Weight	30.5kg
Connector type	M8, Anderson SB50, USB-A, USB-C, Cigarette lighter
Display	Color screen
Case material	ABS/PP
Ingress protection	IP65
Bluetooth	Bluetooth 4.0 with smartphone app

### DIMENSION



DIN standard dimensions L406 \* W280 \* H270 mm

### COMPLIANCE

Certifications	CE UN38.3
Shipping classification	UN 3480, CLASS 9



## ULTIMATRON FRANCE

ULTIMATRON FRANCE

Add: 286 Rue Charles Gide, 34670 Baillargues, France

✉ info@ultimatron-france.fr

☎ Tel: +33(0)9 50 42 76 17

V1 20.01.26

