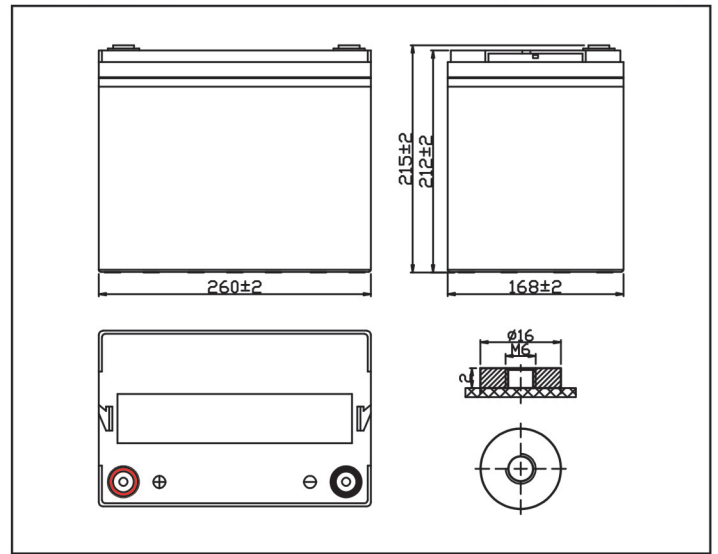


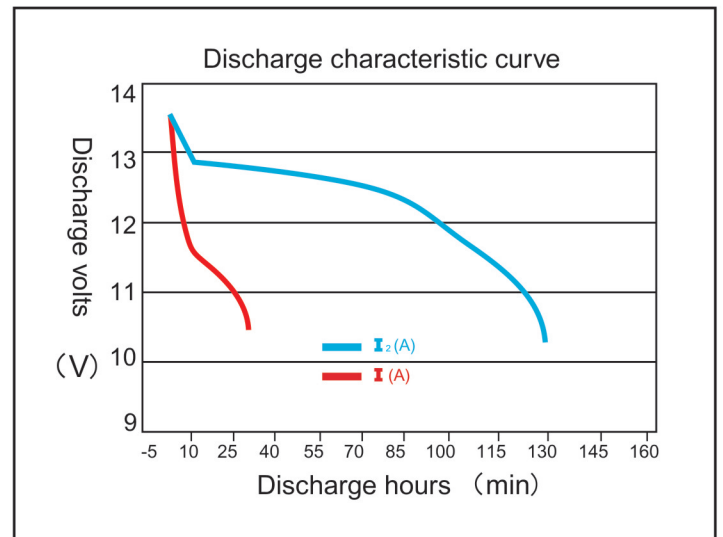
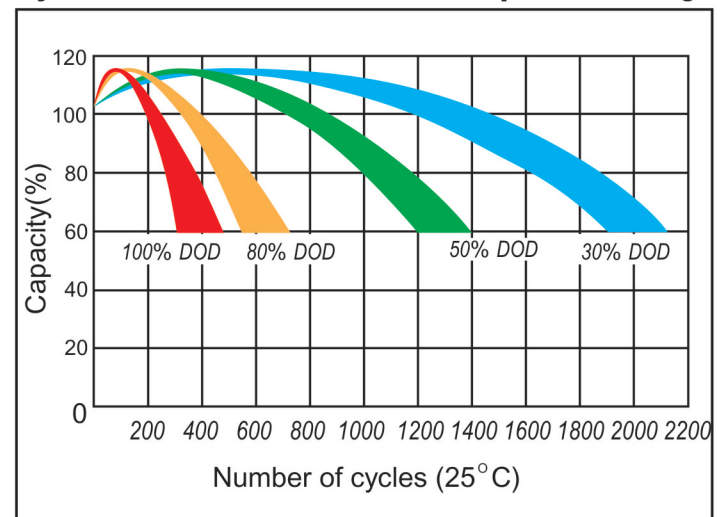
MODEL:6-EVF-85

Plane Chart:

Unit:(mm) Terminal type:(T1)


Parameter Chart:

Volts		12V	
Capacity(25°C)	3 hours rate (28.3A)	85 Ah	
	10 hours rate (9.5A)	95Ah	
Capacity Affected By Temperature	40°C	102%	
	25°C	100%	
	0°C	85%	
	-15°C	70%	
Residual Capacity (25°C)	Capacity After 3 Months Storage	90%	
	Capacity After 6 Months Storage	80%	
	Capacity After 12 Months Storage	60%	
Design cycle service life		4 years	
Charge (Constant Voltage)	Cycle (25°C)	Initial Charging Current Less Than 24A Voltage 14.5~14.9V	
	Float (25°C)	Charge Voltage 13.6~13.8V	
Weight (Approx)		26.5Kg	

Performance curve

Cycle service life in relation to the depth of discharge


★The above are average and data obtained from the first 3 charge/discharge cycles. These are not minimum values.