

IB-12-620

LITHIUM BATTERY

Strong Advantages

- 3 Years Warranty
- Replacement of lead-acid battery
- Lighter weight and easier to handle
- Lithium iron phosphate is more stable
- Maximum service life of over 6000 cycles
- Long-lasting modular construction
- Screw opening, perfect crafted internal structure design



BMS

Battery Management System

The BMS monitors and controls the individual cells of a battery and protects them from damage, such as overload and overvoltage.

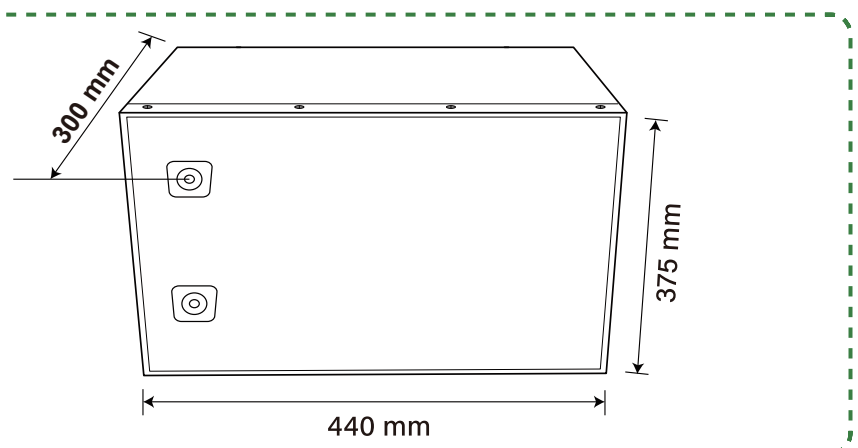
BLUETOOTH 4.0 INTEGRATED



Android



iOS



Items	Characteristics
Model	12.8V 620Ah/7936Wh
Replaces Gel-AGM battery	12.8V 1240Ah
Cell type	Prismatic cell
Dimension with terminals (L x W x H)	440*375*300mm
Weight (No Accessories)	61.6kg
Cycle Life	>6000@80%D.o.D
Internal Resistance	≤7 mΩ
Recommended Charge Voltage	14.6V
Float Charge Voltage(For standby use)	13.8±0.8V
Recommended Charge Current	100A
Max Charge Current	150A
Continuous Discharge Current	300A
Peak Discharge Cut-Off Current	800A ± 150A
Operating Voltage Range	10 - 14.6V
End of Discharge Voltage Range	10 - 11.2V
Terminal Type	M8
Ingress Protection Code	IP62
Charge Temperature	0~50°C
Discharge Temperature	-20~75°C
Storage Temperature	-5~35°C
Storage Condition	Charging the battery every 3 months
Series & Parallel Availability	Maximum 4 pcs in series and 4 pcs in parallel
Certifications	CE/UL/UN38.3 /MSDS /ROHS/ UN 3480/CLASS9