

SPECIFICATION

VOLTAGE
12.8v

CCA (EN)
140A

CHARGING CURRENT STD.

1.0A

CAPACITY (10h)

2.0Ah

ENERGY

25.6Wh

CHARGING CURRENT MAX.

4.0A

DIMENSIONS & WEIGHT

LENGTH	113±2mm
WIDTH	70±2mm
TOTAL HEIGHT	85±2mm
GROSS WEIGHT	0.42kg

NON-SPILLABLE

LiFePO4

TERMINAL

Front



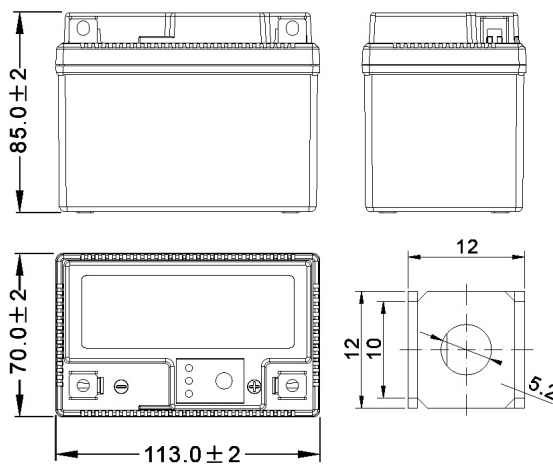
Side



Top



3D



FEATURES

- EQUIVALENT LEAD ACID BATTERY TYPES: FTZ7S
- OUTSTANDING SAFETY FEATURES
- ULTRA LIGHT WEIGHT
- MAINTENANCE FREE AND READY TO USE
- FAST CHARGING CAPABILITIES
- HIGH COLD CRANKING PERFORMANCE
- LONG SHELF-LIFE
- VERY LOW SELF-DISCHARGE
- ENVIRONMENTAL FRIENDLY
- COVER MOST OF EXISTING PARC APPLICATION
- EFFICIENT CHARGING INDICATOR

POLARITY



MOUNTING ANGLES

