

PRODUCT CATALOGUE

WHEEL ACCESSORIES

11TH EDITION

Bimecc[®]

lug nuts & bolts

GENERAL INDEX

WHEEL ACCESSORIES

INTRO	4
CARS	8
TRUCK	70
EDGEX	82



ABOUT US

Bimecc Engineering, a leading European manufacturer of fastening solutions and accessories for car alloy wheels.

In an ever-growing competitive market, Bimecc's state of the art manufacturing facility continues to produce products to the highest possible standards and strives to exceed customers expectations regarding quality and delivery service.

To guarantee the best service in North Europe and in Usa, Bimecc has established two warehouses: the first based in Hertfordshire UK, the second in California USA.

OUR VISION

"A wrong fitting of a car wheel might be a safety problem. Bimecc knows how to solve it"

OUR MISSION

"Providing fastening solutions and accessories for car wheels"

To be an excellent supplier, with above average development and maintenance ideals specializing in state-of-the art wheel accessories.

We shall strive to excel in services rendered to our customers by consistently delivering the highest quality product and services on schedule.

R&D

Innovating and investing in Research & Development are among the main aims of Bimecc Company. Bimecc employs the most modern CAD/CAM software to develop its products. This guarantees high efficiency, high quality and short development times from concept to final approval.

Our machinery division uses the most advanced computerized systems and it is completely automated to achieve the highest production in the best quality and at low costs. Our high-precision production processes ensure that our products are well fitted for automated assembly lines.

Bimecc R&D and Engineering team are ready to work with its customers in order to ensure all the required specifications.

CUSTOMIZATION

Besides personalized labeling and packaging, Bimecc with its flexible manufacturing capabilities offers to the customer a product customization service also.

In short time, starting from our standard range of products we can reduce the length of a thread or the outside diameter of a cylindrical head bolt as well reduce the cone of a conic nut.

We can also produce car wheel fasteners by customer drawing.

QUALITY

The main aim of Bimecc quality policy is to fulfill its customers' needs by a continuous improvement of its processes.

Every process in Bimecc follows ISO 9001 and IATF 16949 standards.

The quality system management controls both the conformity to the procedures of every single activity, according to ISO 9001 and IATF 16949, and the quality of its products. Bimecc guarantees an extremely high quality level by using the latest measurement tools for dimensional, corrosion and torque-tension tests.

Bimecc management system is "Risk-based Thinking", that means that Bimecc takes preventive actions in order to avoid any potential risk that could affect the quality of its product.

QUALITY ACCREDITATION

In 2017 Bimecc updated ISO9001 quality system certification in its last release: ISO9001:2015.

In the same year Bimecc achieved IATF 16949:2016, the quality system certification for automotive production.

TUV SUD Italia released both certifications.



PACKAGING

Bimecc offers a wide range of packaging.

Bimecc can save our customers time and money by custom packaging and labelling its parts to fit your needs. For requirements ranging from boxing parts to custom labelling, our Custom Packaging Department can help.

The Custom Packaging Department provides two primary services.

One service offers the option of packaging product to meet the specific needs of the customer. We can package specific parts with specific quantities in a variety of boxes or bags. We can also customize these packages' labels with information relating to the product.

The other service provided by Custom Packaging is maintaining sufficient inventory quantities of the parts offered in our catalogue in bulk version.

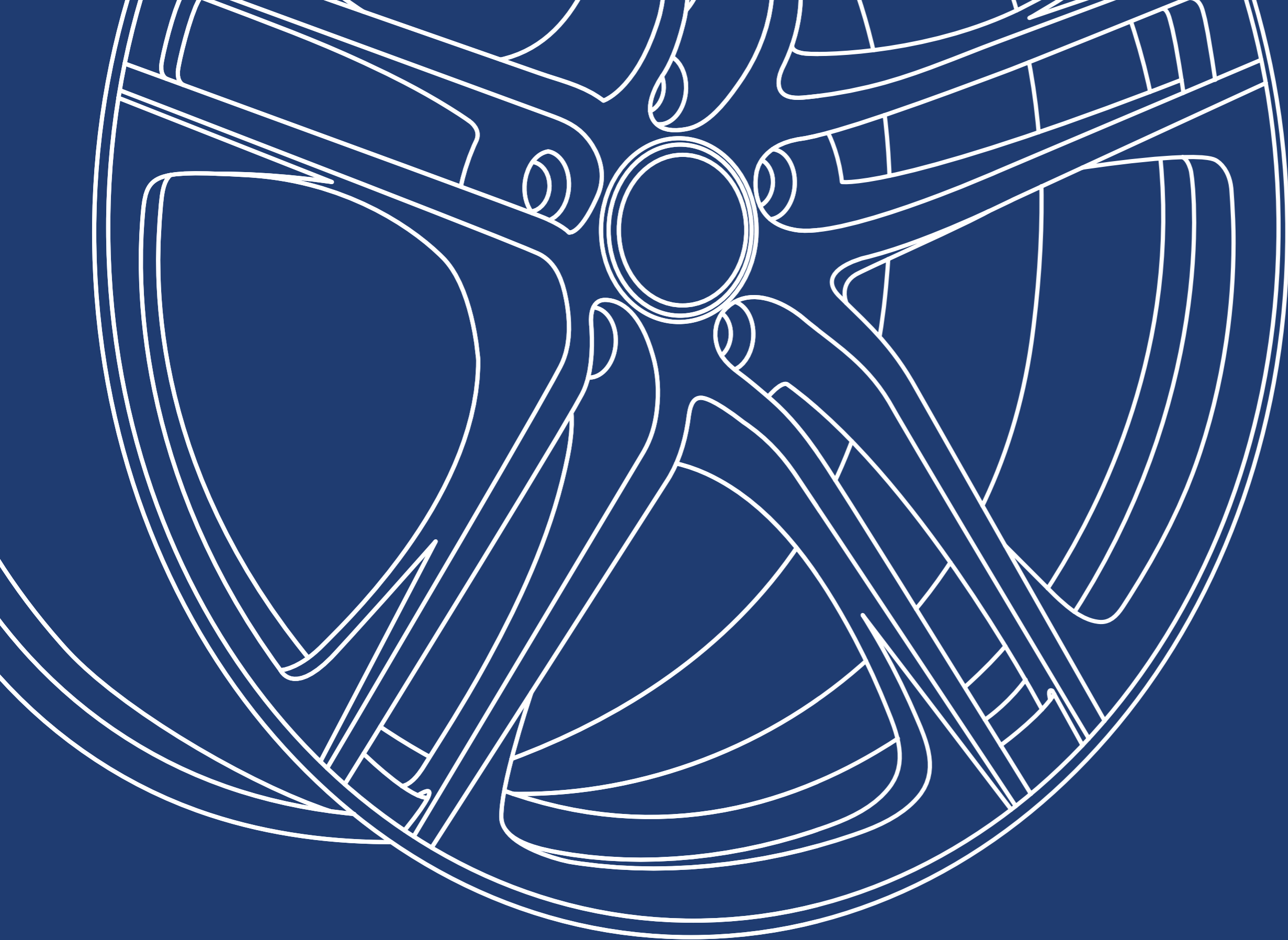


BLISTER PACKAGING

Bimecc cares about wheel safety.

In fact, our company is playing an active role to make wheel specialists and drivers more conscious of the relevant link between wheel fastenings and car safety. Our sales team is at your disposal for any information. If you are interested and you want to discover more about our campaign 'Bimecc Blister makes your car safer', please visit the web site: www.bimecc.it





CARS

CARS INDEX

NUTS & BOLTS

AFTERMARKET	12
I. LUG NUTS	14
• cone seat	
• ball seat	
• tuner	
II. LUG BOLTS	24
• cone seat	
• ball seat	
• flat seat	
• tuner	
OE APPLICATION	34

ACCESSORIES

LOCK KITS	56
• for nuts	
• for bolts	
PCD	58
• for nuts	
• for bolts	
STUDS	59
• spline wheel studs	
• hub studs	
WHEEL INSERTS	60
WHEEL SPACERS	61
HUB RINGS	62

AESTHETICS

PLASTIC COVER CAPS	66
AESTHETIC & MODULAR STUDS AND NUTS	67
WHEEL CENTER CAPS	68

LUG NUTS

CONE SEAT 60° 17 mm HEX

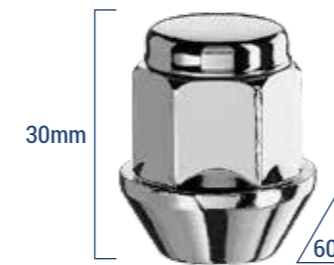


CLOSED LUG NUTS CONE SEAT 17mm HEX	
THREAD SIZE	PART #
M12x1,5	D90
M12x1,25	D91
M12x1,75	enquire
M14x1,5	D90D
M14x2	enquire
3/8 UNF	enquire
7/16 UNF	enquire
1/2 UNF	D92
9/16 UNF	enquire

OPEN LUG NUTS CONE SEAT 17mm HEX	
THREAD SIZE	PART #
M12x1,5	D95
M12x1,25	D96
M12x1,75	D99
M14x1,5	D95D
M14x1,25	D95DX125
3/8 UNF	enquire
7/16 UNF	enquire
1/2 UNF	D97
9/16 UNF	enquire

OPEN LUG NUTS CONE SEAT 17mm HEX	
THREAD SIZE	PART #
M12x1,5	D95RH
M12x1,25	D96RH

CONE SEAT 60° 19 mm (3/4") HEX



Lifetime Warranty
RUST PROOF STAINLESS STEEL CAP

CLOSED LUG NUTS CONE SEAT 19mm HEX	
THREAD SIZE	PART #
M12x1,5	D1
M12x1,25	D3
M12x1,75	D175
M14x1,5	D5
M14x2	D5X2
3/8 UNF	enquire
7/16 UNF	D7
1/2 UNF	D4
9/16 UNF	enquire

CLOSED LUG NUTS CONE SEAT 19mm HEX	
THREAD SIZE	PART #
M12x1,5	D6
M12x1,25	D2
M12x1,75	enquire
M14x1,5	D13
M14x2	D13X2
3/8 UNF	D638
7/16 UNF	D16
1/2 UNF	D10
9/16 UNF	D6H

CLOSED LUG NUTS - CONE SEAT 19mm HEX w/ STAINLESS STEEL CAP	
THREAD SIZE	PART #
M12x1,5	D30
M12x1,25	D31
M12x1,75	D35
M14x1,5	D32
M14x2	enquire
3/8 UNF	enquire
7/16 UNF	enquire
1/2 UNF	D33
9/16 UNF	enquire

LUG NUTS

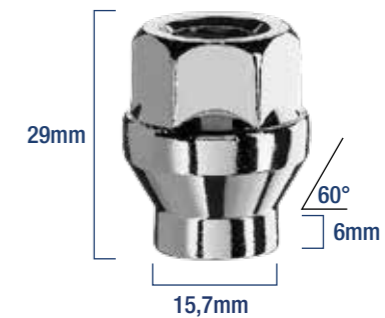
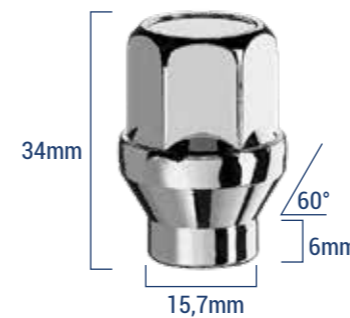
CONE SEAT 60° 19 mm (3/4") HEX



OPEN LUG NUTS CONE SEAT 19mm HEX	
THREAD SIZE	PART #
M12x1,5	D14
M12x1,25	D23
M12x1,75	D1475
M14x1,5	D17
M14x2	D17X2
M14x1,25	D17X125
3/8 UNF	enquire
7/16 UNF	D14U16
1/2 UNF	D22
9/16 UNF	enquire

OPEN LUG NUTS CONE SEAT 19mm HEX	
THREAD SIZE	PART #
M12x1,5	D60
M12x1,25	D61
M12x1,75	enquire
M14x1,5	D62
M14x2	D62X2
3/8 UNF	enquire
7/16 UNF	D64
1/2 UNF	D63
9/16 UNF	D60H

CONE SEAT 60° 19 mm (3/4") HEX



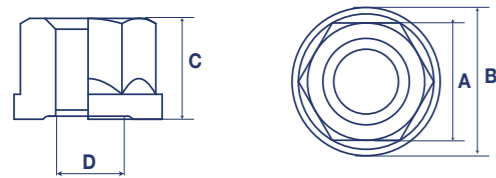
OFF ROAD LUG NUTS CONE SEAT 19mm w/SHANK	
THREAD SIZE	PART #
M12x1,5	D40
M12x1,25	D41
M12x1,75	D45
M14x1,5	D42
M14x2	enquire
3/8 UNF	enquire
7/16 UNF	enquire
1/2 UNF	D43
9/16 UNF	enquire

OPEN OFF ROAD LUG NUTS CONE SEAT 19mm w/SHANK	
THREAD SIZE	PART #
M12x1,5	D110
M12x1,25	D111
M12x1,75	enquire
M14x1,5	D113
M14x2	D114
3/8 UNF	enquire
7/16 UNF	enquire
1/2 UNF	D112
9/16 UNF	D115

LUG NUTS

FLAT NUTS

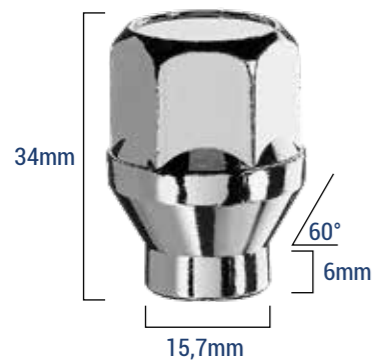
19 mm (3/4") HEX



PART NR.	A	B	C	D	Quality Class	Surface	Res. to corrosion
DR/1P	19	24	17	12x1,5	8	Zn White	>96h SST
DR/2P	19	24	17	12x1,25	8	Zn White	>96h SST

CONE SEAT 60°

21 mm (13/16") HEX

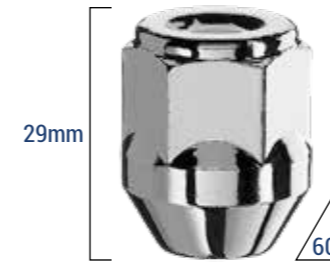


OFF ROAD LUG NUTS CONE SEAT 21mm HEX w/SHANK	
THREAD SIZE	PART #
M12x1,5	D70
M12x1,25	D71
M12x1,75	enquire
M14x1,5	D76
M14x2	enquire
3/8 UNF	enquire
7/16 UNF	enquire
1/2 UNF	D73
9/16 UNF	enquire

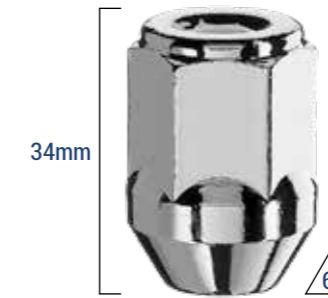
LUG NUTS

CONE SEAT 60°

21 mm (13/16") HEX



CLOSED LUG NUTS CONE SEAT 21mm HEX	
THREAD SIZE	PART #
M12x1,5	D26
M12x1,25	enquire
M12x1,75	enquire
M14x1,5	enquire
M14x2	enquire
3/8 UNF	enquire
7/16 UNF	enquire
1/2 UNF	enquire
9/16 UNF	enquire



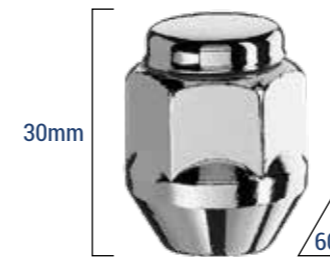
CLOSED LUG NUTS CONE SEAT 21mm HEX	
THREAD SIZE	PART #
M12x1,5	D8
M12x1,25	D9
M12x1,75	enquire
M14x1,5	D8D
M14x2	enquire
3/8 UNF	enquire
7/16 UNF	enquire
1/2 UNF	D15
9/16 UNF	enquire



CLOSED LUG NUTS CONE SEAT 21mm HEX	
THREAD SIZE	PART #
M14X2	D8DX2-55

CONE SEAT 60°

21 mm (13/16") HEX



CLOSED LUG NUTS - CONE SEAT 21mm HEX w/ STAINLES STEEL CAP	
THREAD SIZE	PART #
M12x1,5	D50
M12x1,25	D51
M12x1,75	enquire
M14x1,5	D52
M14x2	enquire
3/8 UNF	enquire
7/16 UNF	enquire
1/2 UNF	enquire
9/16 UNF	enquire

Lifetime Warranty
RUST PROOF STAINLESS STEEL CAP

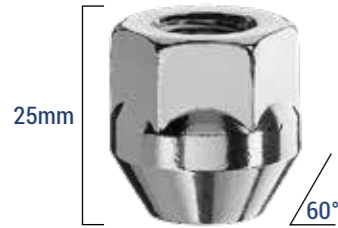


CLOSED LUG NUTS - CONE SEAT 21mm HEX w/ STAINLES STEEL CAP	
THREAD SIZE	PART #
M12x1,5	D29
M12x1,25	enquire
M12x1,75	enquire
M14x1,5	D29D
M14x2	D29X2
3/8 UNF	enquire
7/16 UNF	enquire
1/2 UNF	D29U2
9/16 UNF	D29G

LUG NUTS

CONE SEAT 60°
21 mm (13/16") HEX

IDEAL FOR UNDER CAP FITMENT



OPEN LUG NUTS CONE SEAT 21mm HEX	
THREAD SIZE	PART #
M12x1,5	D21
M12x1,25	D24
M12x1,75	enquire
M14x1,5	D21D
M14x2	enquire
3/8 UNF	enquire
7/16 UNF	enquire
1/2 UNF	enquire
9/16 UNF	enquire

CONE SEAT 60°
22 mm (7/8") HEX



OPEN LUG NUTS CONE SEAT 22mm HEX	
THREAD SIZE	PART #
M12x1,5	enquire
M12x1,25	enquire
M12x1,75	enquire
M14x1,5	D18D
M14x2	D18X2
3/8 UNF	enquire
7/16 UNF	enquire
1/2 UNF	D18
9/16 UNF	enquire

CONE SEAT 60°
22 mm (7/8") HEX



CLOSED LUG NUTS CONE SEAT 22mm HEX W/STAINLESS STEEL CAP	
THREAD SIZE	PART #
M12x1,5	enquire
M12x1,25	enquire
M12x1,75	enquire
M14x1,5	DC22D60
M14x2	DC22D14X2
3/8 UNF	enquire
7/16 UNF	enquire
1/2 UNF	enquire
9/16 UNF	DC22G60



CLOSED LUG NUTS CONE SEAT 22mm HEX W/STAINLESS STEEL CAP	
THREAD SIZE	PART #
M12x1,5	enquire
M12x1,25	enquire
M12x1,75	enquire
M14x1,5	enquire
M14x2	enquire
3/8 UNF	enquire
7/16 UNF	enquire
1/2 UNF	enquire
9/16 UNF	DC22G75

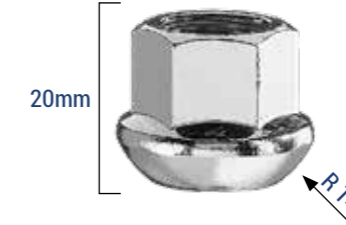
LUG NUTS

BALL SEAT 60°
19 mm HEX

CLASS 10

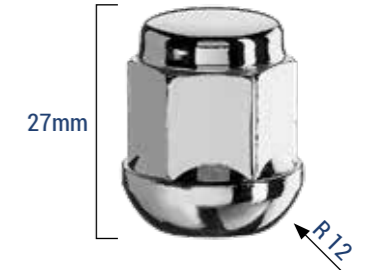


OPEN LUG NUTS - BALL SEAT 19mm HEX (RADIUS 12MM)	
THREAD SIZE	PART #
M12x1,5	D14R
M12x1,25	enquire
M12x1,75	enquire
M14x1,5	enquire
M14x2	enquire
3/8 UNF	enquire
7/16 UNF	enquire
1/2 UNF	enquire
9/16 UNF	enquire



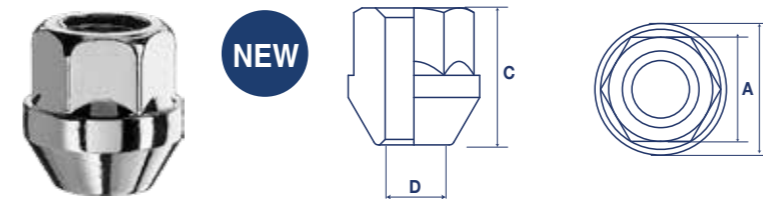
OPEN LUG NUTS - BALL SEAT 19mm HEX (RADIUS 14MM)	
THREAD SIZE	PART #
M12x1,5	enquire
M12x1,25	enquire
M12x1,75	enquire
M14x1,5	D17R
M14x2	enquire
3/8 UNF	enquire
7/16 UNF	enquire
1/2 UNF	enquire
9/16 UNF	enquire

Lifetime Warranty
RUST PROOF STAINLESS STEEL CAP

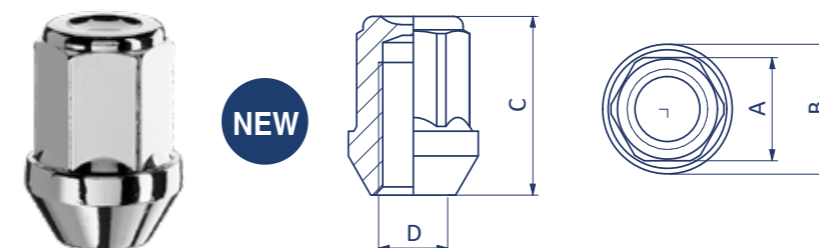


CLOSED LUG NUTS - BALL SEAT 19mm HEX w/STAINLESS STEEL CAP (RADIUS 12MM)	
THREAD SIZE	PART #
M12x1,5	D30R
M12x1,25	D31R
M12x1,75	enquire
M14x1,5	D32R
M14x2	enquire
3/8 UNF	enquire
7/16 UNF	enquire
1/2 UNF	D33R
9/16 UNF	enquire

HIGH RESISTANCE NUTS CLASS 10



Part nr.	A	B	C	D	Quality Class	Surface	Res. to corrosion
D14CL10	19	24	25	M12x1,5	10	Zn White	>96h SST
D17CL10	19	24	25	M14x1,5	10	Zn White	>96h SST

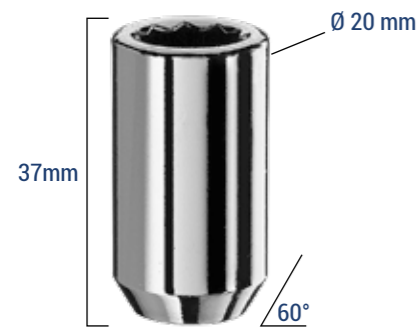


Part nr.	A	B	C	D	Quality Class	Surface	Res. to corrosion
D13CL10	19	24	33	M14x1,5	10	Zn White	>96h SST

LUG NUTS

TUNER NUTS

20 & 21,6 mm OUTSIDE DIAMETER



TUNER LUG NUTS CONE SEAT 20mm OD	
THREAD SIZE	PART #
M12x1,5	DST20A
M12x1,25	DST20B
M12x1,75	enquire
M14x1,5	DST20D
M14x2	DST20DX2
3/8 UNF	enquire
7/16 UNF	enquire
1/2 UNF	DST20E
9/16 UNF	enquire



TUNER LUG NUTS CONE SEAT 21,6mm OD w/SHANK	
THREAD SIZE	PART #
M12x1,5	DSTC20A
M12x1,25	DSTC20B
M12x1,75	enquire
M14x1,5	DSTC20D
M14x2	enquire
3/8 UNF	enquire
7/16 UNF	enquire
1/2 UNF	DSTC20E
9/16 UNF	enquire

TUNER NUTS

23 mm OUTSIDE DIAMETER



TUNER LUG NUTS CONE SEAT 23mm OD	
THREAD SIZE	PART #
M12x1,5	DSTA
M12x1,25	DSTB
M12x1,75	DSTG
M14x1,5	DSTD
M14x2	DSTDx2
3/8 UNF	enquire
7/16 UNF	enquire
1/2 UNF	DSTE
9/16 UNF	DSTH

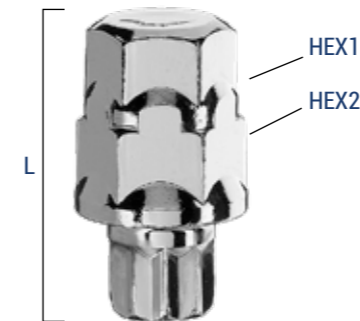


TUNER LUG NUTS CONE SEAT 23mm OD	
THREAD SIZE	PART #
M12x1,5	DSTA45
M12x1,25	enquire
M12x1,75	enquire
M14x1,5	DSTD45
M14x2	enquire
3/8 UNF	enquire
7/16 UNF	enquire
1/2 UNF	DSTE45
9/16 UNF	DSTH45

LUG NUTS

TUNER LUG NUTS

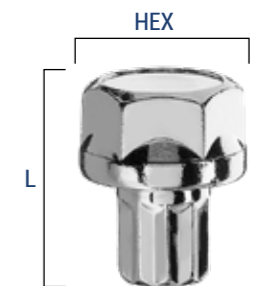
ADAPTORS



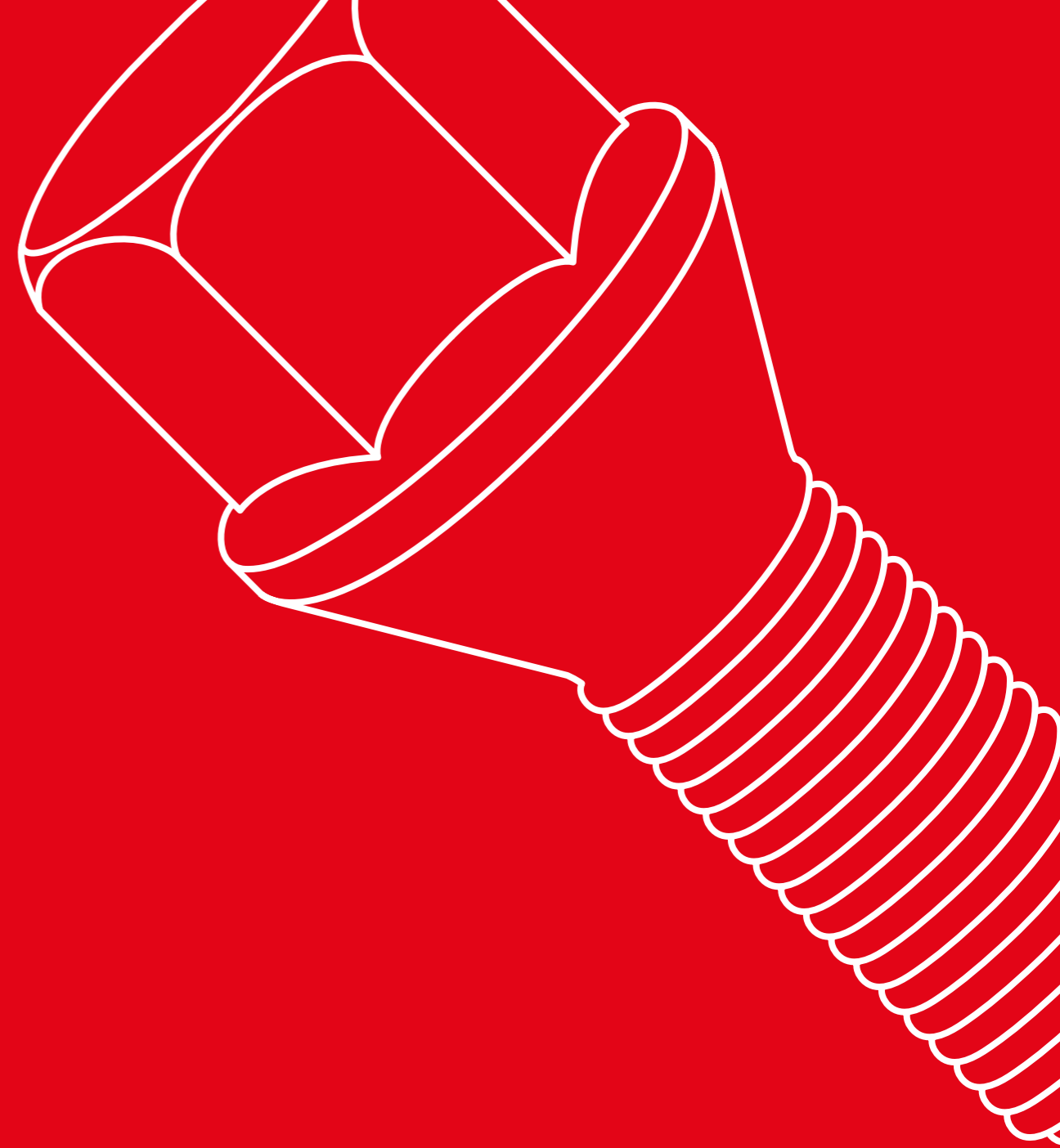
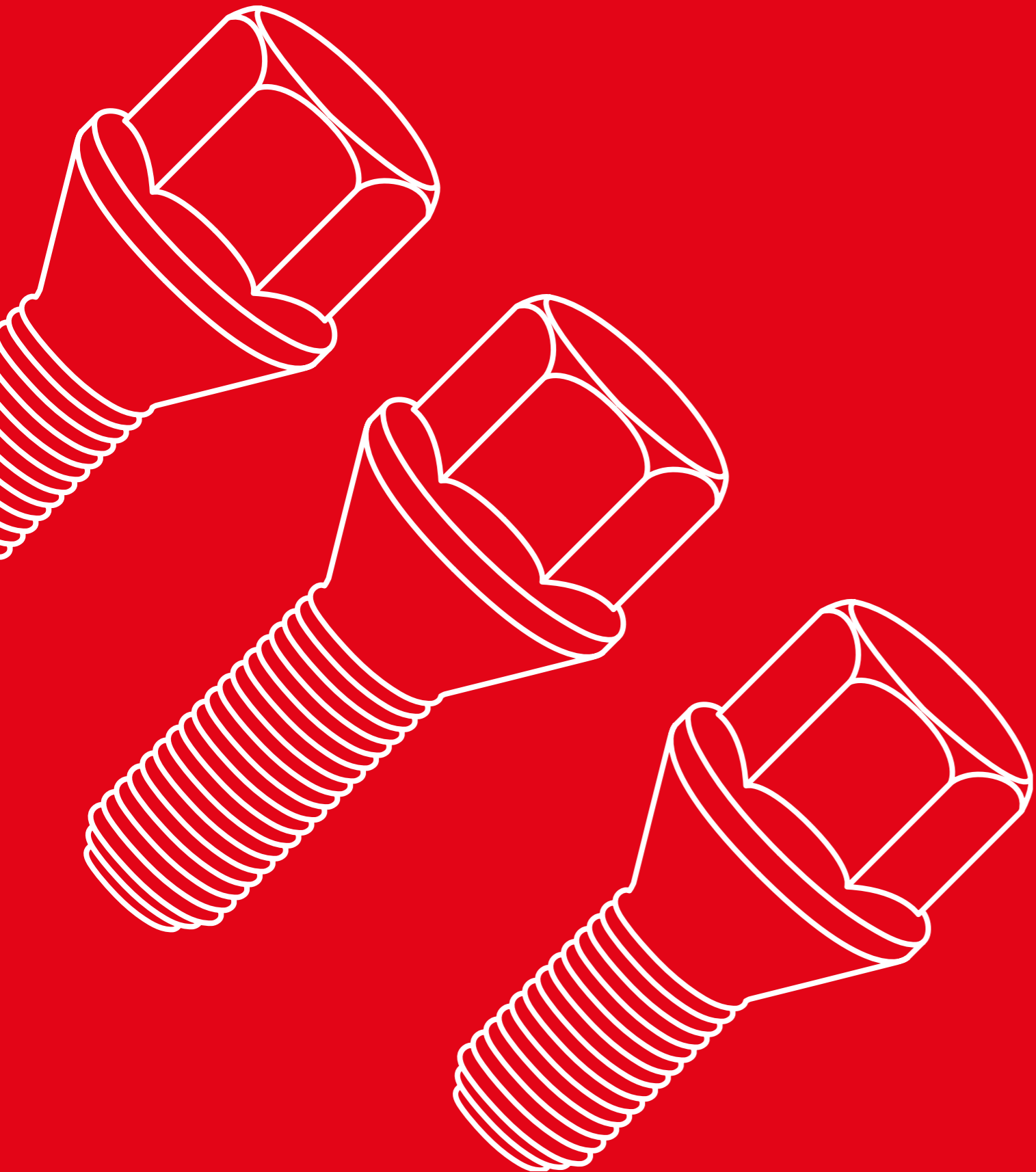
HEX1	HEX2	L	PART #
17	19	39	BRST1719



HEX	L	PART #
17	70	CSTL17
17	116	CSTL17/116
19	70	CSTL19
21	70	CSTL21



HEX	L	PART #
19	30	CST19
21	30	CST21



LUG BOLTS

Cone and flat seat

24-27

Ball seat

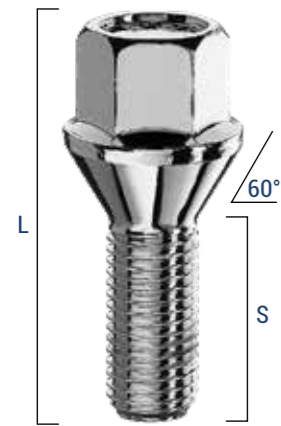
28-30

Tuner & adaptors

31-32

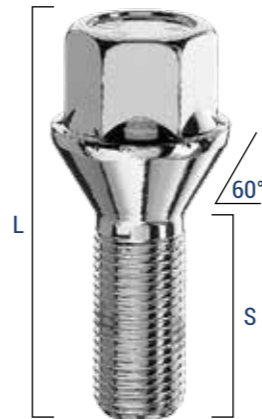
LUG BOLTS

CONE SEAT 60°
17 mm HEX - M12X1,5



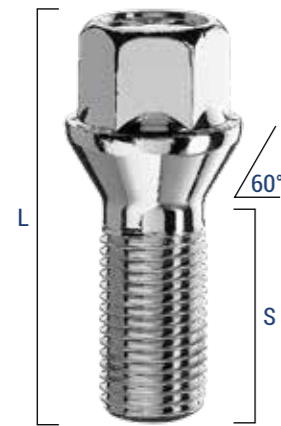
LUG BOLTS M12x1,5 CONE SEAT 17mm HEX		
S	L	PART #
21	46.5	C17A21
22	47.5	LC17A22F
24	49	B27
26	51.5	B12
28	53.5	C17A28
30	55.5	B30
32	57.5	C17A32
35	60.5	C17A35
37	62.5	C17A37
39	64	B34
42	67.5	C17A42
43	68.5	C17A43
45	70.5	C17A45
47	72	C17A47
50	75	C17A50
55	80	C17A55
60	85	C17A60

CONE SEAT 60°
17 mm HEX - M12X1,25



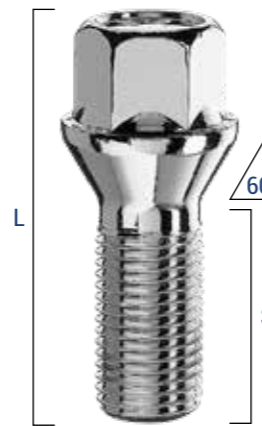
LUG BOLTS M12x1,25 CONE SEAT 17mm HEX		
S	L	PART #
24	48,5	C17B24
26	50	C17B26
28	52	C17B28
30	54	C17B30
32	56	C17B34/32
34	58	C17B34
36	60	C17B36
39	64	C17B39
42	67	C17B42
45	70	C17B45
50	75	C17B50
55	80	C17B60/55
60	85	C17B60

CONE SEAT 60°
17 mm HEX - M14X1,5



LUG BOLTS M14x1,5 CONE SEAT 17mm HEX		
S	L	PART #
20	43.5	B46/20
25	48.5	B46
27	51	C17D27
28	52	B13
30	53.5	C17D30
33	56	B42
35	58	C17D35
38	62	C17D38
40	63,5	C17D40
43	67	C17D43
45	69	C17D45
47	71	C17D47
50	74	C17D50
55	79	C17D55
60	84	C17D60

CONE SEAT 60°
17 mm HEX - M14X1,25



LUG BOLTS M14x1,25 CONE SEAT 17mm HEX		
S	L	PART #
27,6	51	C17F27
30	53,5	C17F30
33	56,5	C17F33
35	58,5	C17F35
38	61,5	C17F38
40	63,5	C17F40
43	66,5	C17F43
45	68,5	C17F45
50	73,5	C17F50
55	78,5	C17F55

LUG BOLTS

CONE SEAT 60°
17 mm HEX - SHORT HEAD



LUG BOLTS M12x1,5 CONE SEAT 17mm HEX		
S	L	PART #
20	37,5	C17A21TB
19	37	C17A21TBEI
21,7	39,5	C17A24TBEI
24,2	42,5	C17A26TBEI



LUG BOLTS M12x1,25 CONE SEAT 17mm HEX		
S	L	PART #
19	36,5	C17B19TBEI
22	39,5	C17B22TBEI
24	41,5	C17B24TBEI



LUG BOLTS M12x1,75 CONE SEAT 17mm HEX		
S	L	PART #
18	37,5	C17G21TB
22	42,5	C17G26TB



LUG BOLTS M14x1,5 CONE SEAT 17mm HEX		
S	L	PART #
17	35,5	C17D19TB
20	37,5	C17D21TB
24	40	C17D24TBEI
24	42	C17D26TB

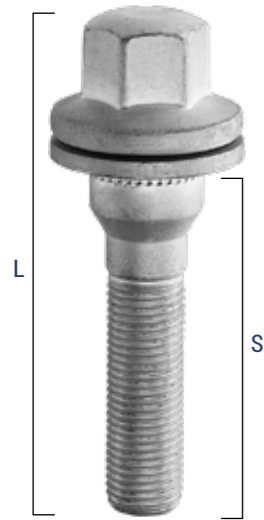


LUG BOLTS M14x1,25 CONE SEAT 17mm HEX		
S	L	PART #
24	39,5	C17F24TBEI

LUG BOLTS

FLAT SEAT

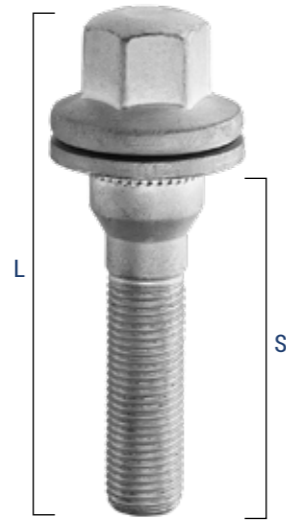
17 mm HEX - M12X1,25



LUG BOLTS M12x1,25 FLAT SEAT 17mm HEX		
S	L	PART #
35	57	VPE03
40	62	VPE03-40
45	67	VPE03-45
50	72	VPE03-50
55	77	VPE03-55

FLAT SEAT

17 mm HEX - M12X1,5



LUG BOLTS M12x1,5 FLAT SEAT 17mm HEX		
S	L	PART #
32,5	53,5	VPE05
37	59	VPE04-37
43	65	VPE04-43
48	70	VPE04-48
53	75	VPE04-53

CONE SEAT 60°

17 mm HEX - M14X1,25

WITH MOBILE WASHER

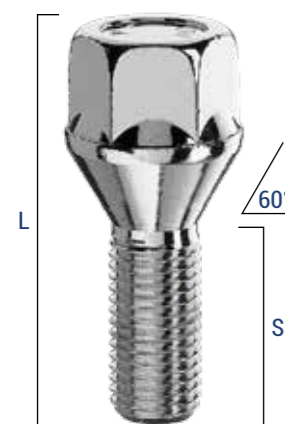
NEW



LUG BOLTS M14x1,25 CONE SEAT 17mm HEX		
S	L	PART #
28,7	54	C17F28-MW
32,4	58	C17F33-MW
34,4	60	C17F35-MW
37,4	63	C17F38-MW
39,4	65	C17F40-MW
42,4	68	C17F43-MW
44,4	70	C17F45-MW
47,4	73	C17F48-MW
50,4	76	C17F51-MW
53,4	79	C17F54-MW

CONE SEAT 60°

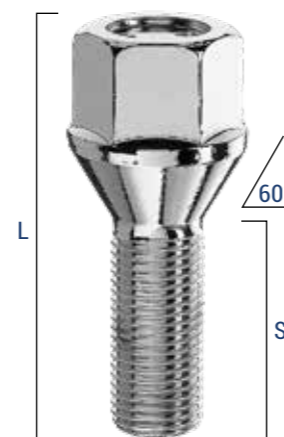
19 mm (3/4") HEX - M12X1,5



LUG BOLTS M12x1,5 CONE SEAT 19mm HEX		
S	L	PART #
24	49	C19A24
26	51	B15
50	75	C19A50

CONE SEAT 60°

19 mm (3/4") HEX - M12X1,25

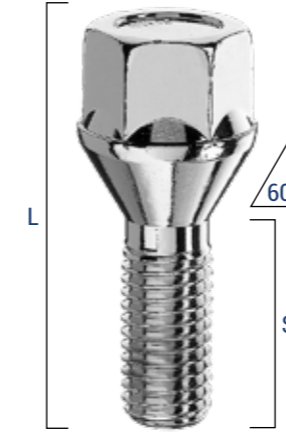


LUG BOLTS M12x1,25 CONE SEAT 19mm HEX		
S	L	PART #
24	49	C19B24
26	51	C19B26
28	53	B14
32	57	B31
34	59	C19B34
36	61	C19B36
39	64	C19B42/39
42	67	C19B42
46	71	C19B46
50	74	C19B50

LUG BOLTS

CONE SEAT 60°

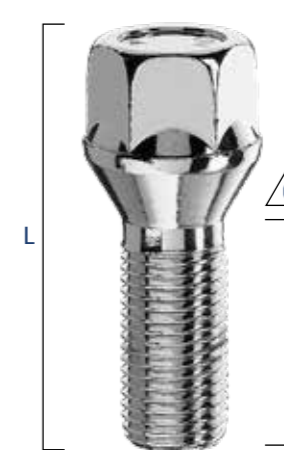
19 mm (3/4") HEX - M12X1,75



LUG BOLTS M12x1,75 CONE SEAT 19mm HEX		
S	L	PART #
27	53	VOLVO
35	59,5	C19G35

CONE SEAT 60°

19 mm (3/4") HEX - M14X1,5

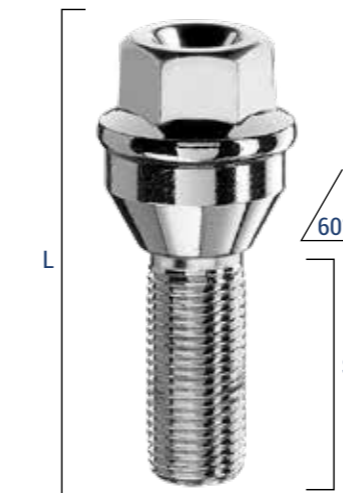


LUG BOLTS M14x1,5 CONE SEAT 19mm HEX		
S	L	PART #
28	51,5	C19D28
30	53,5	C19D30
33	56	C19D36/33
36	59	C19D36
50	73	C19D50
69	92	C19D69

CONE SEAT 60°

19 mm (3/4") HEX - M14X1,5

WITH MOBILE WASHER



LUG BOLTS M14x1,5 CONE SEAT 19mm HEX		
S	L	PART #
28	57,5	PC19D28-MW
30	59,5	PC19D30-MW
37	66,5	PC19D37-MW
42	71,5	PC19D42-MW
45	74,5	PC19D45-MW
48	77,5	PC19D48-MW
53	82,5	PC19D53-MW
58	87,5	PC19D58-MW

CONE SEAT 60°

17 MM HEX - M15X1,25

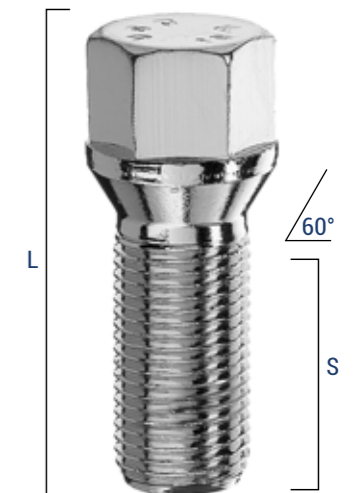
WITH MOBILE WASHER



LUG BOLT M15X1,25 CONE SEAT 17 mm HEX		
S	L	PART #
30	52	PC17Q30-MW-ZN

CONE SEAT 60°

19 mm (3/4") HEX - M16X1,5

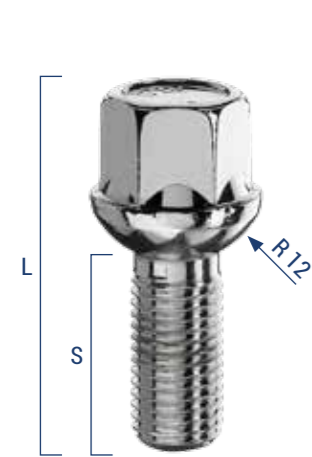


LUG BOLTS M16x1,5 CONE SEAT 19mm HEX		
S	L	PART #
33	54	2005-02-01

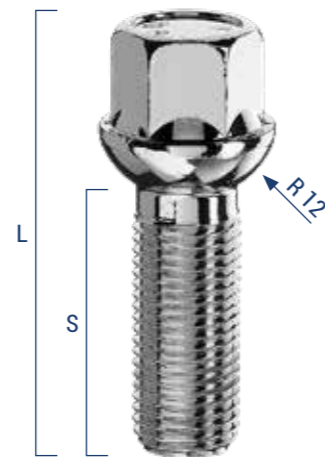
LUG BOLTS

BALL SEAT

17 mm HEX (RADIUS 12mm)



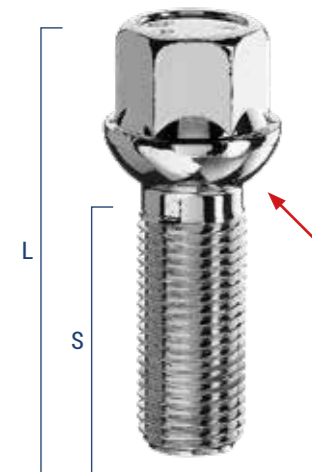
LUG BOLTS M12x1,5 BALL SEAT 17mm HEX (RADIUS 12 mm)		
S	L	PART #
21	42,5	LS17A21F
23	42,5	S17A23
26	45,5	S17A26
28	48,5	S17A28
30	50,5	S17A30
32	53,5	S17A32
35	57,5	S17A35
40	60,5	S17A40
45	65	S17A45
50	72,5	S17A50
55	77,5	S17A55
60	81	S17A60



LUG BOLTS M14x1,5 BALL SEAT 17mm HEX (RADIUS 12 mm)		
S	L	PART #
25,5	45	LS17D25F
27	47	S17D27
30	51	S17D30
32	53	S17D32
35	56	S17D35
38	59	S17D38
40	61	S17D40
43	64	S17D43
45	66	S17D45
47	68	S17D47
50	71	S17D50
55	76	S17D55
60	81	S17D60
64	85	S17D64

BALL SEAT

17 mm HEX - M14X1,25

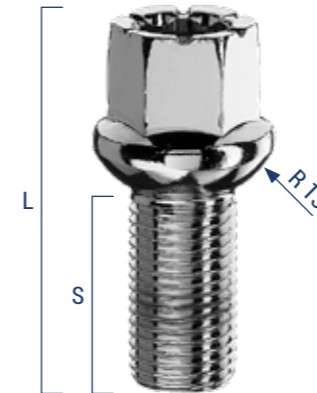


LUG BOLTS M14x1,25 BALL SEAT 17mm HEX				
S	L	R	COATING	PART #
37	57	12 mm	DELTAPROTEKT KL100	S17F37-KL100
39	59	12 mm	WHITE ZINC PLATED	S17F39
29,5	49	13 mm	DELTAPROTEKT KL100	S17F29-KL100
29,5	49	13 mm	BLACK ZINC PLATED	S17F29R13ZNNI
29	48	14 mm	WHITE ZINC PLATED	S17F29R14

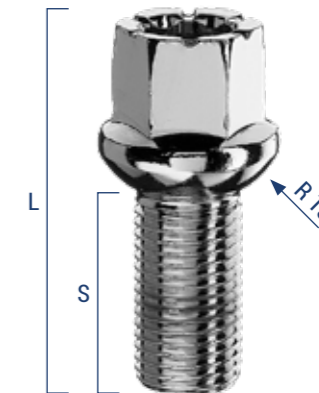
LUG BOLTS

BALL SEAT

17 mm HEX (RADIUS 13mm)



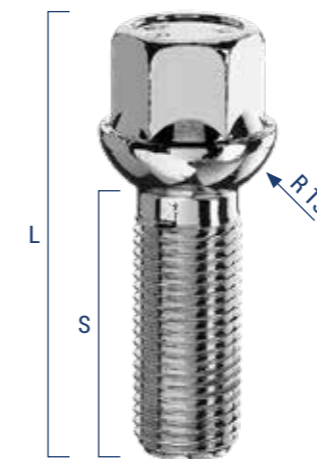
LUG BOLTS M12x1,5 BALL SEAT 17mm HEX HOLLOW HEAD		
S	L	PART #
24,5	45,7	LS17A25F-Z



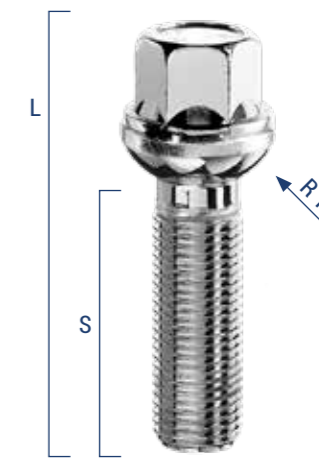
LUG BOLTS M14x1,5 BALL SEAT 17mm HEX HOLLOW HEAD		
S	L	PART #
27	48	LS17D27F

BALL SEAT

17 mm HEX (RADIUS 13mm)



LUG BOLTS M14x1,5 BALL SEAT 17mm HEX (RADIUS 13 mm)		
S	L	PART #
28	74	S17D28R13
30	49	S17D30R13
32	51	S17D32R13
35	54	S17D35R13
37	56	S17D37R13
40	59	S17D40R13
43	62	S17D43R13
45	64	S17D45R13
47	66	S17D47R13
50	69	S17D50R13

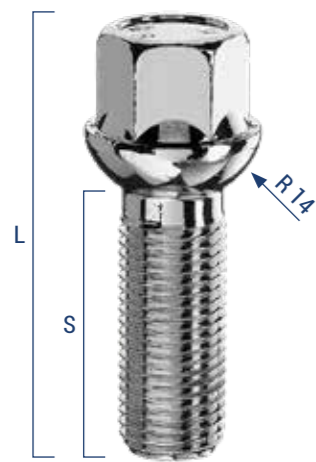


LUG BOLTS M14X1,5 17MM HEX w/SWIVEL WASHER		
S	L	PART #
32	55,5	S17D32-MW
39	63,5	S17D39-MW
42	65,5	S17D42-MW
48	71,5	S17D48-MW

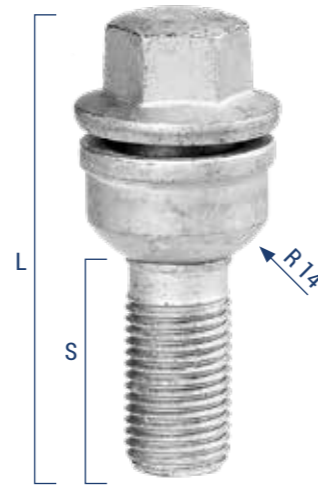
LUG BOLTS

BALL SEAT

17 mm HEX (RADIUS 14mm)



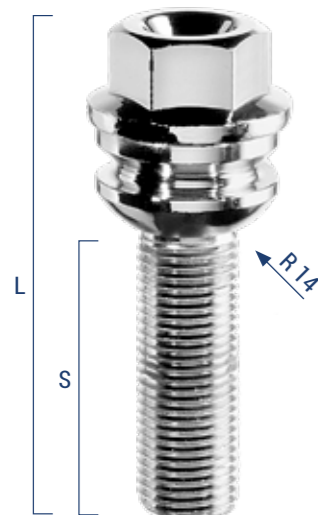
LUG BOLTS M14x1,5 BALL SEAT 17mm HEX		
S	L	PART #
35	54	S17D35R14
40	59	S17D40R14
43	62	S17D43R14
45	64	S17D45R14
47	66	S17D47R14
50	69	S17D50R14
55	74	S17D55R14
60	79	S17D60R14
65	84	S17D65R14



LUG BOLTS M14x1,5 BALL SEAT 17mm HEX W/SWIVEL WASHER		
S	L	PART #
28	57,5	WS17D28-MW
30	59,5	WS17D30-MW
37	66,5	WS17D37-MW
42	71,5	WS17D42-MW
45	74,5	WS17D45-MW
48	77,5	WS17D48-MW
50	79,5	WS17D50-MW
53	82,5	WS17D53-MW

BALL SEAT

19 mm HEX (RADIUS 14mm)



LUG BOLTS M14x1,5 BALL SEAT 19mm HEX W/SWIVEL WASHER		
S	L	PART #
28	57,5	PS19D28-MW
30	59,5	PS19D30-MW
37	66,5	PS19D37-MW
42	71,5	PS19D42-MW
45	74,5	PS19D45-MW
48	77,5	PS19D48-MW
53	82,5	PS19D53-MW
58	87,5	PS19D58-MW

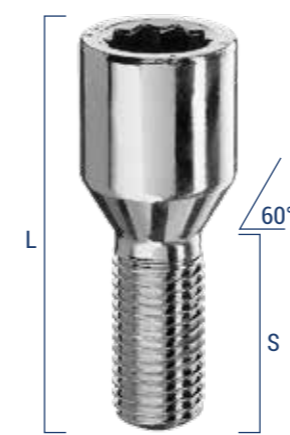


LUG BOLTS M14x1,5 BALL SEAT 19mm HEX W/SWIVEL WASHER		
S	L	PART #
28	57,5	PS19D28-MW-ZN
30	59,5	PS19D30-MW-ZN
37	66,5	PS19D37-MW-ZN
42	71,5	PS19D42-MW-ZN
45	74,5	PS19D45-MW-ZN
48	77,5	PS19D48-MW-ZN
53	82,5	PS19D53-MW-ZN
58	87,5	PS19D58-MW-ZN

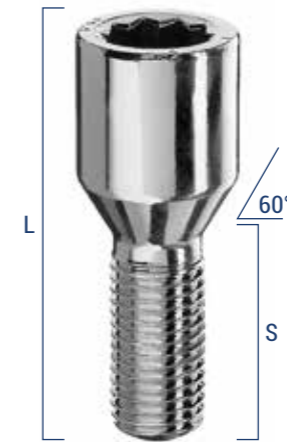
LUG BOLTS

TUNER BOLTS

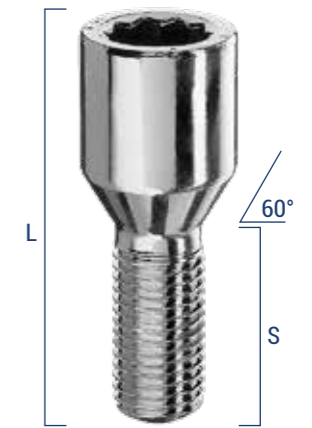
20 mm OUTSIDE DIAMETER



TUNER LUG BOLTS M12x1,5 CONE SEAT 20mm OD		
S	L	PART #
22	48	VST20A22
24	50	VST20A24
26	52	VST20A26
28	54	VST20A28
32	58	VST20A32
45	71	VST20A45



TUNER LUG BOLTS M12x1,25 CONE SEAT 20mm OD		
S	L	PART #
24	50	VST20B24
26	52	VST20B28/26
28	54	VST20B28
30	56	VST20B50/30
36	62	VST20B50/36
42	68	VST20B50/42
45	71	VST20B50/45
50	76	VST20B50



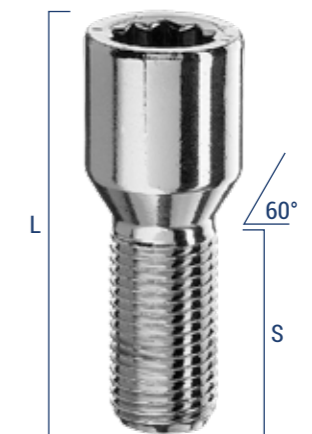
TUNER LUG BOLTS M12x1,75 CONE SEAT 20mm OD		
S	L	PART #
28	54	VST20G28
30	56	VST20G30

TUNER BOLTS

20 mm OUTSIDE DIAMETER



TUNER LUG BOLTS M14x1,25 CONE SEAT 20mm OD		
S	L	PART #
27	52	VST20F27
33	57	VST20F50/33
38	62	VST20F50/38
45	69	VST20F50/45
50	74	VST20F50

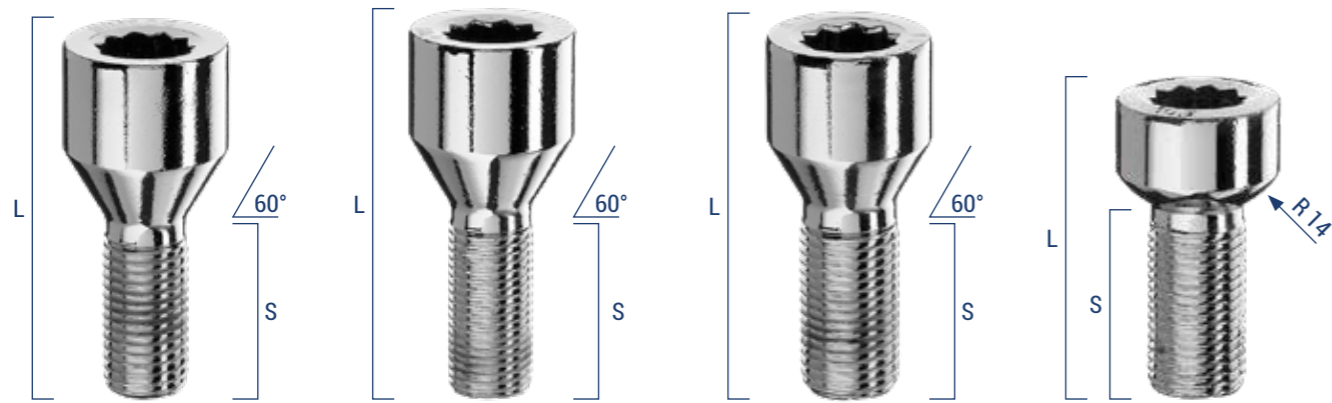


TUNER LUG BOLTS M14x1,5 CONE SEAT 20mm OD		
S	L	PART #
25	50	VST20D25
28	53	VST20D28
30	55	VST20D30
40	65	VST20D40
45	70	VST20D45
55	80	VST20D55

LUG BOLTS

TUNER BOLTS

23 mm OUTSIDE DIAMETER



TUNER LUG BOLTS M12x1,5 CONE SEAT 23mm OD		
S	L	PART #
24	49,5	VSTA24
26	51,5	VSTA26
32	57,5	VSTA32
40	65,5	VSTA40
52	77,5	VSTA52

TUNER LUG BOLTS M12x1,25 CONE SEAT 23mm OD		
S	L	PART #
22	47,5	VSTB22
24	49,5	VSTB24
26	51,5	VSTB26
28	53,5	VSTB28
50	75,5	VSTB50

TUNER LUG BOLTS M14x1,5 CONE SEAT 23mm OD		
S	L	PART #
28	53,5	VSTD28
33	58,5	VSTD33
45	70,5	VSTD45
50	75,5	VSTD50
55	80,5	VSTD55

TUNER LUG BOLT M14x1,5 BALL SEAT 23MM OD		
S	L	PART #
28	45	VSD28R14

TUNER BOLTS

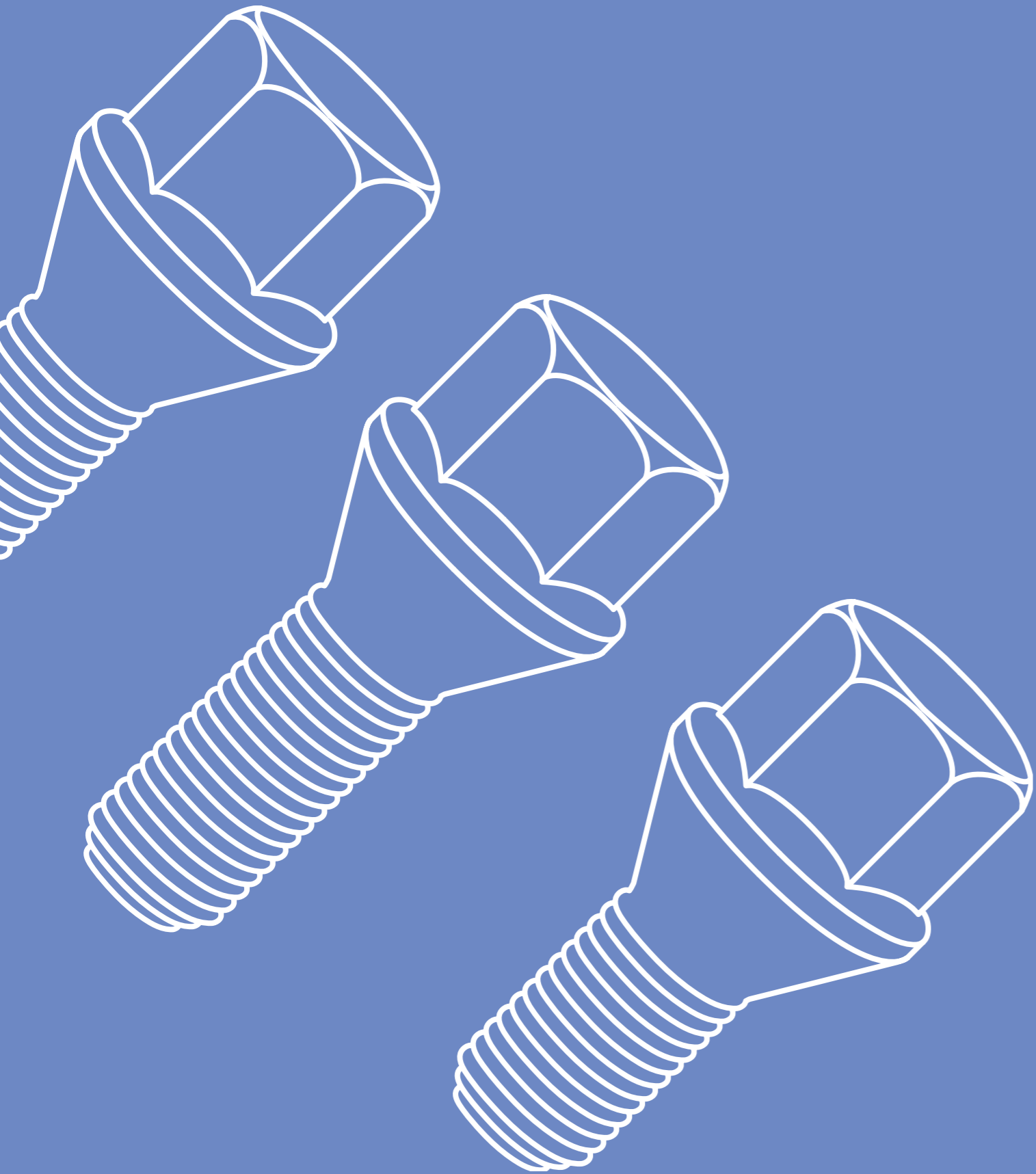
ADAPTORS



HEX1	HEX2	L	PART #
17	19	39	BRST1719

HEX	L	PART #
17	70	CSTL17
17	116	CSTL17/116
19	70	CSTL19
21	70	CSTL21

HEX	L	PART #
19	30	CST19
21	30	CST21



OE APPLICATION

Bimecc offers a new wide range of bolts and nuts for original aluminium and steel wheels. Choose the right product to fasten your wheels searching by car brand, OEM part number and technical dimensions.

OE APPLICATION

Picture	Car Model	Wheel Type	Technical Characteristics	Replacement OEM Part. Number	Bimecc Part Nr.	
ALFA						
	147 (937) 156 (932) 166 (936) GT (937) Giulietta (940) Mito (955)	Steel and Aluminium	Conical 60° K 17 M12x1,25x22/48,5 8.8 Deltaprotekt KL100	132 304 25	IBS13230425	
	159 (939) Brera (939) Spider (939) Stelvio (949)	Steel and Aluminium	Conical 60° K 17 M14x1,5x25/48,6 10.9 Deltaprotekt KL100	606 974 42 606 941 02	B46-KL100	
AUDI						
	Audi 80 (81) Audi Coupe (85) A2 (8Z 4x100 rims only)	Steel and Aluminium	Spherical R13 K 17 M12x1,5x24,5/45,7 10.9 White Zincplated	3A0 601 139	LS17A25F-Z	
	A1 (8X, GB) A2 (8Z 5x100 rims only) A3 (8L, 8P, 8V) A4 (B9, B8, QB6, 8E, 8H, B5, 8K)	A5 Sportback (B8, B9) A6 (4B, 4F, 4G, F2) A7 Sportback (4G, F2) A8 (D2, Q2, 4E, 4H, F8) 80 (89, 89Q, B4)	100 (43, 44, C4) 200 (43, 44, C4) V8 (D11) Coupe (85, 8B) TT (8J, 8N) Q2 (GA)	WHT 002 437	LS17D27F	
	A4 Cabrio (8H, 8K) S4 (8E) A5 Cabrio (B8, B9) S5 S5 Cabrio RS5 (B8)	A6 (4B, 4F) A6 Allroad (4B) A6 quattro (4F, 4G) A6 cabrio (4F2, 4F5) S6 RS6 (4B, 4F, 4G)	A7 (4G, F2) A8 (4D from '01) A8 Quattro (8D from '01) S8 TT (8N, 8J, 8S)	4D0 601 139 A	LS17D27F-MW2	
	A8 (4H armoured cars only) Q3 (8U, F3) Q5 (8R, FY) Q7 (4M) Q8 (4M)		Spherical R14 K 17 M14x1,5x30/59,5 (2 pcs.) 10.9 Deltaprotekt KL100	8R0 601 295	WS17D30-MW	
	Q7 (4L)	Aluminium	Spherical R14 K 19 M14x1,5x37/67 (2 pcs.) 10.9 White Zincplated	7L0 601 139 A	PS19D37-MW	
BMW						
	1 series (E81, E87, E88) X1 (E84) 3 series (E21, E30, E36, E46, E90, E91, E92, E93) 5 series (E12, E28, E34, E39, E60, E61) 6 Series (E24) 7 series (E23-E32-E38)	8 series (E31) Z1 (E30) Z3 (E36) Z4 (E85, E86, E89) Z8 (E52)	Steel and Aluminium	Conical 60° K 17 M12x1,5x26/48 8.8 Corrolube	36 13 1 126 191 36 13 6 781 150	B12PI
	5 serie (E12)	Steel and Aluminium	Conical 60° K 19 M12x1,5 8 White Zincplated + s/s cap	36 13 1 113 132	D30	











OE APPLICATION

Picture	Car Model	Wheel Type	Technical Characteristics	Replacement OEM Part. Number	Bimecc Part Nr.		
	1 serie (F20, F21) 2 series (F22, F23, F45, F46) X2 (F39) 3 series (F30, F31, F34, F35) 3GT (F34, F35) X3 serie (F25)	4 serie (F32, F33, F36) X4 (F26, G02) 5 series (F10, F11, F18, G5) X5 serie (E53, E70, F15) 6 serie (F06, F12, F13) X6 (E71, E72, F16)	6 serie (F06, F12, F13) X6 (E71, E72, F16) 5GT (F07) 7 Series (F01, F02, F04, G11, G12) i3 (i01)	Steel and Aluminium	Conical 60° K 17 M14x1,25x27/46,3 8.8 Corrolube	36 13 6 781 151	C17F27PI2
	X5 (G05) X6 (MY 2019) X7 (MY 2019) 7 serie (F03) i3 (MY 2019) i8 (MY 2019)			Steel and Aluminium	Conical 60° K 17 M14x1,25x28/54 10.9 Corrolube	36 13 6 795 153	C17F28-MW
CHEVROLET							
	Spark Matiz			Steel	Conical 60° K 17 M12x1,25 8 White Zincplated	94515470 94515410	D96
	Aveo (KLAS, KL1T) Cruze (KL1J) HHR (LT) Orlando (KL1Y) Trax (KL1B)			Steel	Conical 60° K19 M12x1,5 10 White Zincplated	94515412	D14CL10
	Aveo (KLAS, KL1T) Cruze (KL1J) HHR (LT) Orlando (KL1Y) Trax (KL1B)			Aluminium	Conical 60° K19 M12x1,5 10 White Zincplated + s/s cap	09594682	DGM01
CITROEN							
	Berlingo 2 e 3 C2 (J) C-Elysée (D) C3 (F,H,S) C4 Cactus (O) C5 (D, R9)	C6 (T) DS3 (S) DS4 (N) DS5 (K) Jumpy (270) Saxo (from '03)		Aluminium	Flat K17 M12x1,25x17/57 (2 pcs.) 10.9 Deltaprotekt KL100	5405.67	VPE03
	AX (ZA) Saxo (S0, S1) Xantia (X1, X2)	Xsara (N6) Xsara Picasso (C)		Aluminium	Flat K 19 M12x1,25x17/63 (2 pcs.) 10.9 White Zincplated	5405.35	VPE01-ZB
	Berlingo (7, TU) Berlingo 3 Tepee (TU) C4 (L, N) C4 Cactus (O) C4 coupè (L) C4 Picasso (U)	C4 Grand Picasso (U) C5 (6FZ, R) DS4 (N) Jumpy 3 (270)		Steel	Conical 60° K 17 M12x1,25x26/49 (2 pcs.) 10.9 Deltaprotekt KL100	5405.72 16 087 344 80	C17B24-MW
	AX (ZA) Berlingo (NFU) Saxo (S0, S1) Xantia (X1, X2) Xsara (N6) Xsara Picasso ©			Steel	Conical 60° K 19 M12x1,25x26/52 10.9 White Zincplated	5405.55	C19B26

OE APPLICATION

Picture	Car Model		Wheel Type	Technical Characteristics	Replacement OEM Part. Number	Bimecc Part Nr.
	Berlingo (7, MF) Berlingo 3 Tepee (TU) C2 (JM) C3 (FC, S, HB) C3 Picasso (SH) C4 (B7, LA, LC)	C6 (TD) DS3 (S) DS4 (N) Jumpy 3 Nemo (A)	Steel	Conical 60° K 17 M12x1,25x26/47 10.9 Deltaprotekt KL100	5405.66	B0400-001
	C1 (PM, PN)		Steel	Conical 60° K 17 M12x1,5x21/42 10.9 White Zincplated	5405.77	C17A21
	C1 (PM, PN, 580W)		Aluminium	Flat K 17 M12x1,5x32,5/53,5 (2 pcs.) 10.9 Deltaprotekt KL100	5405.85	VPE05
	Jumper (230 e 244) Axial load 1,1 - 1,4 Ton.		Steel (5x118 only)	Conical 60° K 24 M14x1,5x28,2/53 10.9 Deltaprotekt KL100	5405.75	B0046-003
	Jumper (230 e 244) Axial load from 1,8 Ton.		Steel (5x130 only)	Conical 60° K 24 M16x1,5x31/57 10.9 Deltaprotekt KL100	5405.76	B0046-004
	C8 (E) Jumpy (B until '06)		Steel and Aluminium	Conical 60° K 17 M14x1,5x25/48,6 10.9 Deltaprotekt KL100	5405.68 5405.69	B46-KL100
	C8 (E) Jumpy (B until '06)		Steel and Aluminium (5x118 only)	Conical 60° K 21 M14x1,5x27/62 10.9 Deltaprotekt KL100	5405.78 5405.88	B0046-006
	Jumper (250) Axial load from 1,6 Ton.		Steel and Aluminium (5x130 only)	Conical 60° K 21 M16x1,5x29/64 10.9 Deltaprotekt KL100	5405.79	B0046-007
	C-Crosser (V) C Zero (1) C4 Aircross (B)		Steel and Aluminium	Head Ø 18 K 14,3 M12x1,5x42/47 10.9 White Zincplated	3714.28	CRP143A42
	C-Crosser (V) C Zero (1) C4 Aircross (B)		Steel	Conical 60° K 21 M12x1,5 8 Yellow Zincplated	5405.81	DMTSB
	C-Crosser (V) C4 Aircross (B)		Aluminium	Flat K 21 M12x1,5 (2 pcs.) 8 Chromeplated	5405.82	DT0Y01

OE APPLICATION

Picture	Car Model			Wheel Type	Technical Characteristics	Replacement OEM Part. Number	Bimecc Part Nr.
DACIA							
	Dokker (SD) Duster (SD) Lodgy (SD) Logan (SD, SR) Sander (SD, SR)			Steel	Conical 60° K 17 M12x1,5x26/51 10.9 White Zincplated	82 00 473 353 82 00 610 460 40 22 22 121R	B12
DAIHATSU							
	Charade (XP9F) Cuore (L2, L27) Materia (M4) Sirion (M3) Terios (J2) Trevis (L65)			Steel	Conical 60° K 21 M12x1,5 8 White Zincplated	90942-01007	DMTSB
FIAT							
	500 (312) 500C (312) 500L (199) 500X (334) Bravo 2 (198) Doblo (119, 152)	Doblò Cargo (223,263) Idea (135, 350) Linea (323) Multipla (186) Panda 2 (169) Panda 3 (312)	Punto 1 (176) Punto 2 (188) Stilo (192) Qubo (225) Tipo (356)	Steel and Aluminium	Conical 60° K 17 M12x1,25x22/48,5 8.8 Deltaprotekt KL100	13.230.425	IBS13230425
	Barchetta (183) Cinquecento (170) Panda 1 (141) Punto 1 (176) Punto 2 (188) Seicento (187)	Uno (146)		Steel	Conical 60° K 19 M12x1,25x27/42 8.8 Deltaprotekt KL100	13.228.924	IBS13228924
	Croma (194) Grande Punto (199) Punto Evo (199) Punto 2013 (199) Sedici (FY)			Steel and Aluminium	Conical 60° K 17 M12x1,5x22/47,5 10.9 White Zincplated	51.732.885	LC17A22F
	Scudo (220) Ulysse (179)			Steel	Conical 60° K 17 M14x1,5x25/48,6 10.9 Deltaprotekt KL100	1.493.974.080	B46-KL100
	Scudo (270 from 11/2007)			Steel	Conical 60° K 17 M12x1,25x26/49 (2 pcs.) 10.9 Deltaprotekt KL100	9.634.648.980	C17B24-MW
	Scudo (270 from 11/2007)			Aluminium	Flat K 17 M12x1,25x17/57 (2 pcs.) 10.9 Deltaprotekt KL100	9.644.576.680	VPE03
	Ducato (230, 244) Axial load 1,1 - 1,4 Ton.			Steel (5x118 only)	Conical 60° K 24 M14x1,5x28,2/53 10.9 Deltaprotekt KL100	1.345.713.080	B0046-003
	Ducato (230, 244) Axial load from 1,8 Ton.			Steel (5x130 only)	Conical 60° K 24 M16x1,5x31,6/57 10.9 Deltaprotekt KL100	1.345.714.080	B0046-004

OE APPLICATION

Picture	Car Model			Wheel Type	Technical Characteristics	Replacement OEM Part. Number	Bimecc Part Nr.
	Ducato (250) Axial load 1.1 - 1,7 Ton.			Steel and Aluminium (5x118 only)	Conical 60° K 21 M14x1,5x27/62 10.9 Deltaprotekt KL100	1.363.349.080 1.351.202.080	B0046-006
	Ducato (250) Axial load from 1,6 Ton.			Steel and Aluminium (5x130 only)	Conical 60° K 21 M16x1,5x29/64 10.9 Deltaprotekt KL100	1.351.203.080	B0046-007
	Fullback (KT0T)			Aluminium	Flat K 21 M12x1,5 (2 pcs.) 8 Chromeplated	MR 455707	DT0Y01
FORD							
	KA 2 (RU8)			Steel and Aluminium	Conical 60° K 17 M12x1,5x22/48,5 8.8 Deltaprotekt KL100	1.559.373	IBS13230425
	B-Max (JK8) Ecosport (JK8) Escort (AT0,GT0) Fiesta (GFJ, JAS, JH1, JA8) Focus (DAW, DA3, DYB) Grand C-Max (DM2, DXA)	Ka (RBT) Ka+ (16) Kuga (DM2) Mondeo (GBPB4Y,BA7) Puma (ECT) Scorpio (GFR, GGR)		Steel	Conical 60° K 19 M12x1,5 10 Deltaprotekt KL100	6.040.307 5.114.405 1.007.487	D60FB
	C-Max (DM2, DXA) Fiesta (GJF, JAS, JH1, JA8) Focus (DAW, DA3, DYB) Kuga (DM2) Mondeo (L1F, L1J) Puma (ECT)			Steel and Aluminium	Head Ø 18 K 13,0 M12x1,5x42 10.9 White Zincplated	1.473.166	CRP130A42
	B-Max (from 01/2012) Fiesta (from 05/2012) C-Max (from 01/2012) Grand C-Max (from 01/2012) Focus (from 11/2012) Ecosport (JK8)	Mondeo (from 02/2015) Ranger (2AB) Tourneo Courier (from 02/2015) Tourneo Connect (from 11/2013) Ka+ (16) Kuga (from 10/2012)	Transit Courier (from 09/2013) Transit Connect (02/2015)	Aluminium	Conical 60° K 19 M12x1,5 10 Zinc Nickel + s/s cap	5.114.407	DF04
	B-Max (JK8) C-Max (DM2, DXA) Cougar (BCV) Fiesta (J5S, JVS, JD3, JH1, JC3JA8, JR8) Focus (DA3, DB3, DYB, DAW, DBW) Kuga (DM2)	Mondeo (BA7, B4Y, B5Y)		Aluminium (Open)	Conical 60° K 19 M12x1,5 (Closed) 10 Zinc Nickel + s/s cap	6.111.766 1.454.051	DF02N









OE APPLICATION

Picture	Car Model			Wheel Type	Technical Characteristics	Replacement OEM Part. Number	Bimecc Part Nr.
	B-Max (JK8) C-Max (DM2, DXA) Cougar (BCV) Fiesta (J5S, JVS, JD3, JH1, JC3, JA8, JR8) Focus (DA3, DB3, DYB, DAW, DBW) KA (RBT) Fusion (JU2)	Kuga (DM2) Mondeo (BA7, B4Y, B5Y)		Aluminium (with cap)	Conical 60° K 19 M12x1,5 (Open) 10 Zinc Nickel	6.652.292 1.454.053	DF01N
	Galaxy (WGR from 1995 to 2000)			Steel and Aluminium	Spherical R14 K 19 M14x1,5x34/58 10.9 Zinc Nickel Black	7.201.016	LS19D34F
	Galaxy (WGR from 2000 to 2007)			Steel and Aluminium	Spherical R14 K 19 M14x1,5x34/62 (2 pcs.) 10.9 Deltaprotekt KL100	1.126.877	LS19D34F-MW
	Galaxi (WA6) S-Max (WA6)			Steel	Conical 60° K 21 M14x1,5 10 Zinc Nickel	1.377.748 1.889.420	D62FB
	Galaxi (WA6 from 2006 to 2011) S-Max (WA6 from 2006 to 2011)			Aluminium	Conical 60° K 21 M14x1,5 10 White Zincplated + s/s cap	1.428.137 1.377.747	DF03
	Transit 2000-2006 (FBEY/DEY/DFY/DGY/MEY/MFY/NEFY/SEY/SFY/SGY/ZEY/AEY/AFY/AGY) Transit 2006-2011 (FAEY/FAF6/FAG6/FNF6/FMF6/FME6)			Steel	Flat K 21 M14x2 (2 pcs.) 10 Cromax + Magni	1.576.434	DF08
	Transit 2013			Steel	Flat K 21 M14x1,5 (2 pcs.) 10 Zincclad + Magni	1.811.812	DF09
	Transit 2014 (single wheels only)			Aluminium	Conical 60° K 21 M14x1,5 10 Zincnickel + s/s cap	5.196.786	DF10
	Edge (SBF) S-Max (WA6 from MY 2015) Galaxi (WA6 from MY2015)			Aluminium	Conical 60° K 21 M14x1,5 10 Zincnickel + s/s cap	5.275.544	DF11

OE APPLICATION

Picture	Car Model		Wheel Type	Technical Characteristics	Replacement OEM Part. Number	Bimecc Part Nr.	
HONDA							
	All passenger car models		Steel	Spherical R12 K 19 M12x1,5 (open) 10 White Zincplated	90381-SL5-901	D14R	
	All passenger car models		Aluminium	Spherical R12 K 19 M12x1,5 (closed) 8 White Zincplated + s/s cap	90304-SC2-000	D30R	
HYUNDAI							
	Atos (MX) Accent (LC, MC, MCT) Elantra (XD) Coupè (GK, J-2, RD) Getz (TB, TBI) i 10 (IA, PA)	i 20 (PB, PBT) i 30 (FD, FDH) i 40 (VF) iX 20 (JC) iX 35 (EL, LM) Kona (OS)	Matrix (FC, FCT) Tucson (JM, TL)	Aluminium	Conical 60° K 21 M12x1,5 8 chromeplated	52950-14140 52950-M1000 52951-31330	DKIA01-OE
	Atos (MX) Accent (LC, MC, MCT) Elantra (XD) Coupè (GK, J-2, RD) Getz (TB, TBI) i 10 (IA, PA)	i 20 (PB, PBT) i 30 (FD, FDH) iX 35 (EL, LM) Kona (OS) Matrix (FC, FCT) Tucson (JM, TL)		Steel	Conical 60° K 21 M12x1,5 8 chromeplated	52950-3Y000 52950-17000 52951-11210 52950-11210 52951-11220	DKIA02-OE
JAGUAR							
	XE (JA) XF (JB) F-type (QQ6) S-type (CCX)			Aluminium	Flat K 19 M12x1,5 8 White Zincplated + s/s cap	C2C35294010	DJAG-OE
	E-pace (DF) F-pace (DC, X761)			Aluminium	Conical 60° K 21 M14x1,5 10 White Zincplated + s/s cap	T4A2670	DF03
KIA							
	Carens (FC) Carnival (MB) Ceed (CD) Niro (DE) Picanto (TA) Rio (DC, DE, UB)	Sorento (XM, UM) Soul (AM, PS) Sportage (QL, QLE) Stonic (YB) Venga (XN, XNS)		Aluminium	Conical 60° K 21 M12x1,5 8 chromeplated	52950-14140 52950-M1000 52950-1G000 52950-H1000	DKIA01-OE
	Carens (FC) Carnival (MB) Ceed (CD) Niro (DE) Picanto (TA) Rio (DC, DE, UB)	Sorento (XM, UM) Soul (AM, PS) Sportage (QL, QLE) Stonic (YB) Venga (XN, XNS)		Steel	Conical 60° K 21 M12x1,5 8 chromeplated	52950-3Y000 52950-17000 52951-11210 52950-11210 52951-11220	DKIA02-OE
LANCIA							
	Delta 3 (844) Kappa (838) Lybra (839) Musa (350) Y (840, 312) Ypsilon (843, 846)			Steel and Aluminium	Conical 60° K 17 M12x1,25x22/48,5 8.8 Deltaprotekt KL100	13.230.425	IBS13230425

OE APPLICATION

Picture	Car Model		Wheel Type	Technical Characteristics	Replacement OEM Part. Number	Bimecc Part Nr.	
LAND ROVER							
	Defender up to 2006 Discovery 1 Range Rover Classic			Aluminium	Flat K 27 M16x1,5 (2 pcs.) 8 White Zincplated + s/s cap	ANR2763MMM	DRR
	Discovery 2			Aluminium	Flat K 22 M14x1,5 (2 pcs.) 8 White Zincplated	ANR3679	DRR1
	Defender from 2007			Aluminium	Flat K 27 M14x1,5 (2 pcs.) 8 Yellow Zincplated + s/s cap	RRD500560	DRR2
	Discover 3 and 4 Range Rover Sport (LS, LW) Range Rover Vogue (LM, LG)			Aluminium	Flat K 22 M14x1,5 (2 pcs.) 8 White Zincplated + s/s cap	RRD500590 LR068126	DRR3-OE
	Range Rover Evoque Velar Freelander 2 Discovery Sport			Aluminium	Conical 60° K 21 M14x1,5 10 White Zincplated + s/s cap	LR001381	DF03
	Defender up to 2006 Discovery 1 Range Rover Classic			Steel	Conical 80° K 27 M16x1,5 8 White Zincplated	RRD500010	DRR01-D
MAZDA							
	121 (DB, DW) 323 (BF, BW) 626 (GC, GD, GV, GE, GF, GW) CX-5 CX-7 CX-9	Demio 2 (DE, DJ, DL) 3 (BK, BL, BM, BN) 5 (CR, CW) 6 (GG, GY, GH, GJ, GL) MX-3 (EC)	MX-5 (NA, NB, NC, ND) MX-6 (GD, GE)	Aluminium	Conical 60° K 21 M12x1,5 8 Chromeplated	0B002-37-160 B002-37-160B B002-37-160A B002-37-160X KA78-37-160 KA79-37-160 KB77-37-160 UH72-37-160 UH73-37-160 UR58-37-160	DKIA01-OE
	121 (DB, DW) 323 (BF, BW) 626 (GC, GD, GV, GE, GF, GW) CX-5 CX-7 CX-9	Demio 2 (DE, DJ, DL) 3 (BK, BL, BM, BN) 5 (CR, CW) 6 (GG, GY, GH, GJ, GL) MX-3 (EC)	MX-5 (NA, NB, NC, ND) MX-6 (GD, GE)	Steel	Conical 60° K 21 M12x1,5 8 Chromeplated	0603-26-161A 0603-26-161 0603-26-161X	DKIA02-OE

OE APPLICATION

Picture	Car Model		Wheel Type	Technical Characteristics	Replacement OEM Part. Number	Bimecc Part Nr.
MERCEDES						
	Sprinter 616 (905) Vario 512 (667) 612 (668) 814 (670) 815 (670) 609 (668)	709 (669)	Steel	Flat K 19 M14x1,5 10 White Zincplated	074361 014205	JDBC14A19015Z
	Class A (168) C (202, 203) CLK (208, 209) E (210) SL (129) SLK (170, 171)	Vaneo (414) 190 (201) 200 (124)	Steel	Spherical R12 K 17 M12x1,5x21/39,5 10.9 White Zincplated	170 401 01 70 201 401 02 70 000 990 45 07 210 401 02 70	LS17A21F
	Class A (168) C (202, 203) CLC (203) CLK (208, 209) E (124, 210) SL (129)	SLK (170, 171) Vaneo (414) 190 (201) 200 (124)	Aluminium	Spherical R12 K 17 M12x1,5x40/61 10.9 White Zincplated	124 400 01 70 000 990 48 07 124 400 00 70 124 400 04 70 202 400 00 70 000 900 10 07 203 401 02 70	S17A40 / B22
	Class S (140)		Steel	Spherical R12 K 17 M14x1,5x25/45 10.9 Deltaprotekt KL100	140 401 02 70	LS17D25FKL100
	Sprinter I (207, 208, 209, 210, 212, 214, 307, 308, 309, 310, 312, 314)		Steel	Spherical R14 K 19 M14x1,5x34/63 10.9 Zinc Nickel + Finigard 105	601 401 02 70	S19D34R14
	Class A (169, 176) B (245, 246) C (204 alloy wheels only) CLS (218, 219) E (207, 211, 212, 213) GL (164 alloy wheels only)	GLC (253) GLK (204) ML (163, 164 alloy wheels only) R (251 alloy wheels only) SL (230) SLK (172)	Steel and Aluminium	Spherical R14 K 17 M14x1,5x26,5/49 10.9 Deltaprotekt KL100	000 990 67 07 000 990 69 07 000 990 72 07 000 990 49 07 163 401 06 70 211 401 03 70	LS17D27R14
	CL (215) E (213) GE (461, 463) GLK (204 steel wheels only) GLE (166, 292 steel wheels only) ML (164 steel wheels only)	R (251 steel wheels only) GL (164) S (140, 220)	Aluminium	Spherical R14 K 17 M14x1,5x45/70 10.9 Corrolube ZS-73-A	000 990 53 07	S17D45R14PI
	Class A (169, 176) B (245, 246) C (204) CLS (218, 219) E (207, 211, 212, 213) GL (164)	GLC (253) GLK (204) ML (163, 164) R (251) SL (230) SLK (172)	Aluminium	Spherical R14 K 17 M14x1,5x27 10.9 Corrolube + s/s cap	000 990 51 07	LS17D27R14CI
	CL (215) E (213) GE (461, 463) GLK (204) GLE (166, 292) ML (164)	R (251) GL (164) S (140, 220)	Aluminium	Spherical R14 K 17 M14x1,5x48,5 10.9 Corrolube + s/s cap	000 990 54 07	S17D45R14CI




OE APPLICATION

Picture	Car Model		Wheel Type	Technical Characteristics	Replacement OEM Part. Number	Bimecc Part Nr.	
	Class A (176) B (246) C (204, 205) CLA (117, 218) E (207, 212) GL (164, 166)	GLA (156) GLK (204) ML (164 and 166 steel wheels only) SL (231 steel wheels only) SLK (172 steel wheels only)	Aluminium	Spherical R14 K 17 M14x1,5x27/46 9.8 Corrolube	000 990 83 07	S17D27R14PIZN	
	CLS (257) GL (166) GLK (204) ML (166) R (251) S (217)		Aluminium	Spherical R14 K 17 M14x1,5x45/64 9.8 Corrolube	000 990 76 07	S17D45R14PIZN	
	GLE (W167) GLE coupé (W167) GLS (from 2020)		Aluminium	Spherical R14 K 17 M15x1,25x27/48,5 10.9 Zinc Nickel Black	TO BE ADVISED	PS17Q27-MW-ZN	
	GLE (W167) GLE coupé (W167) GLS (H1GLE) EQC (204X)		Aluminium	Spherical R14 K 17 M15x1,25x45/66,5 10.9 Zinc Nickel Black	TO BE ADVISED	PS17Q45-MW-ZN	
MINI							
	Cooper and Cooper S (R52 up to 07/2006, R53 up to 07/2006, R55, R56, R57, R60) Clubman (R55) Countryman (R60) JCW (R52, R55, R56, R57, R58) One (R50 until 07/2006) One (R55, R56)	Paceman (UKL)	Steel and Aluminium	Conical 60° K 17 M12x1,5x26/51 10.9 Corrolube	36 13 0 141 574	B12PI	
	Cooper and Cooper S (R52 from 07/2006, R53 from 07/2006, R55, R56, R57, R60) Clubman (R55, UKL) Countryman (R60, FMX) JCW (R52, R55, R56, R57, R58) One (R50 from 07/2006) One (R55, R56)		Steel and Aluminium	Conical 60° K 17 M14x1,25x27/48 8.8 Corrolube	36136781151-03	C17F27PI2	
MITSUBISHI							
	ASX (GA0) Carisma (DA0) Colt (C50, CA0, CJO, Z30, Z3B) Galant (E30, EAO) I-Miev (HA0, HAV) Lancer (CS0, CY0)	L200 (KT0T) L300 (PA0, PAOV, POOV, POOW) Outlander (CUOW, CWO) Pajero (H60W) Space Gear (PA0) Space Wagon (NT0, N30, N50)	Space Star (DGO, A00)	Steel	Conical 60° K 21 M12x1,5 8 Yellow Zincplated	MR 297927 MA 103 087	DMTSB

OE APPLICATION

Picture	Car Model	Wheel Type	Technical Characteristics	Replacement OEM Part. Number	Bimecc Part Nr.		
	ASX (GA0) Carisma (DA0) Colt (C50, CA0, CJO, Z30, Z3B) Space Gear (PA0) Galant (E30, EAO) I-Miev (HA0, HAV)	Lancer (CS0, CY0) L200 (KT0T) L300 (PA0, PAOV, P00V, P00W) Outlander (CUOW, CWO) Pajero (H60W) Space Wagon (N10, N30, N50)	Space Star (DG0, A00)	Aluminium	Flat K 21 M12x1,5 (2 pcs.) 8 Chromeplated	MR 455707	DT0Y01
	ASX (GA0) Carisma (DA0) Colt (C50, CA0, CJO, Z30, Z3B) Galant (E30, EAO) I-Miev (HA0, HAV) Lancer (CS0, CY0)	L300 (PA0, PAOV, P00V, P00W) Outlander (CUOW, CWO) Pajero (H60W) Space Gear (PA0) Space Wagon (N10, N30, N50) Space Star (DG0, A00)		Steel and Aluminium	Head Ø 18 K 14,3 M12x1,5x42/47 10.9 White Zincplated	MB 911495	CRP143A42
NISSAN							
	Pixo (HF)			Steel	Conical 60° K 19 M12x1,25 8 White Zincplated	36181-4A0A2	D61
	Qashqai (J11) Micra (K14)			Steel and Aluminium	Conical 60° K 17 M12x1,5x24/49 10.9 White Zincplated	40254-00Q0P	B27
	Micra (K12) Note (E11)			Steel and Aluminium	Conical 60° K 19 M12x1,5x25/51 10.9 White Zincplated	40254-00QAB 40222-BC40A	B15
	Maxima (A32, A33) Micra (K10, K11, K13) Note (E12) Patrol (260, K160, Y60A, Y61) Pick-Up (D22) Primera (P11, P12)	Pulsar (C13) Qashqai (J10) Sunny (N14, B12, N13) Terrano (WD21, R20) X-Trail (T30, T31, T32)		Steel	Conical 60° K 21 M12x1,25 8 Yellow Zincplated	40224-ZE73A 40224-G9501 40224-21001	DNIS
OPEL							
	Agila A (H00 up to chassis 3G999999)			Steel and Aluminium	Conical 60° K 19 M12x1,25 8 White Zincplated	4705 171	D61
	Antara (L-A)			Aluminium	Conical 60° K 19 M12x1,5 8 White Zincplated + s/s cap	4803 304	D30
	Combo (D)			Steel and Aluminium	Conical 60° K 17 M12x1,25x22/48,5 8.8 Deltaprotekt KL100	1.008.011	IBS13230425

OE APPLICATION

Picture	Car Model	Wheel Type	Technical Characteristics	Replacement OEM Part. Number	Bimecc Part Nr.		
	Antara (L-A) Astra J (P-J) Insignia B (5x115 only) Mokka (J-A, steel wheel only) Zafira Tourer (P-J-SW)			Steel and Aluminium	Conical 60° K 19 M12x1,5 10 White Zincplated	1.008.010 1.008.516	D14CL10
	Mokka (J-A)			Aluminium	Conical 60° K 19 M12x1,5 10 White Zincplated + s/s cap	1.008.013	DGM01
	Adam (S-D) Agila A (H00 from chassis 3H000000) Corsa (A-B-C-D) Astra (F, G, H) Combo (C) Meriva (A, B)	Omega (B) Signum (Z-C-S) Tigra (S93, X-C) Vectra (A, B, C) Zafira (A-B)		Steel and Aluminium	Conical 60° K 17 M12x1,5x22/47,5 10.9 White Zincplated	1.008.504	LC17A22F
	Crossland X (P7) Grandland X (Z)			Steel	Conical 60° K 17 M12x1,25x26/47 10.9 Deltaprotekt KL100	3.637.362	B0400-001
	Crossland X (P7) Grandland X (Z)			Aluminium	Flat K 17 M12x1,25x17/57 (2 pcs.) 10.9 Deltaprotekt KL100	5405.67	VPE03
PEUGEOT							
	106 (1A, 1C) 205 (20A, 20C) 306 (7A, 7D) 309 (10A, 10C) 405 (15B, 15E) 406 (8B)	605 (6B) Partner (HDZ, NFU)		Aluminium	Flat K 19 M12x1,25x17/63 (2 pcs.) 10.9 White Zincplated	5405.35	VPE01-ZB
	308 (4) 407 (6C, 6D) 3008 (OU) 5008 (O) Expert 3 Partner 3 Tepee	Ranch 3		Steel	Conical 60° K 17 M12x1,25x26/49 (2 pcs.) 10.9 Deltaprotekt KL100	5405.72 160 873 44 80	C17B24-MW
	106 (1A, 1C) 205 (20A, 20C) 306 (7A, 7D) 309 (10A, 10C) 405 (15B, 15E) 406 (8B)	605 (6B) Partner (HDZ, NFU)		Steel	Conical 60° K 19 M12x1,25x26/52 10.9 White Zincplated	5405.55	C19B26
	206 (HFZ) 207 (W) 208 (C) 2008 (C) 301 (D) 307 (3A, 3C)	308 (4, L) 3008 (M) 309 (L) 508 (8) 5008 (M) 1007 (K)	Biipper Silver (225L) Expert 2 Tepee (G9) Expert 3 Tepee Partner (HDZ, NFU)	Steel	Conical 60° K 17 M12x1,25x26/47 10.9 Deltaprotekt KL100	5405.66	B0400-001

OE APPLICATION

Picture	Car Model			Wheel Type	Technical Characteristics	Replacement OEM Part. Number	Bimecc Part Nr.
	206 (HFZ) 207 (W) 208 (C) 301 (D) 307 (3A, 3C) 308 (1, 2, 4, L)	407 (6C, 6D) 508 (8) 607 (9D, 9U) 1007 (K) 2008 (C) 2008 (C)	3008 (OU, M) 3008 (OU) 5008 (O, M) Expert 2 Tepee (G9) Expert 3 Tepee Partner (HDZ, NFU) RCZ	Aluminium	Flat K 17 M12x1,25x17/57 (2 pcs.) 10.9 Deltaprotekt KL100	5405.67	VPE03
	107 (P) 108 (580W)			Steel	Conical 60° K 17 M12x1,5x21/47 10.9 White Zincplated	5405.77	C17A21
	107 (P) 108 (580W)			Aluminium	Flat K 17 M12x1,5x32,5/53,5 (2 pcs.) 10.9 Deltaprotekt KL100	5405.80 5405.85	VPE05
	Expert (B/222, X) 807 (E)			Steel and Aluminium	Conical 60° K 17 M14x1,5x25/48,6 10.9 Deltaprotekt KL100	5405.68 5405.69	B46-KL100
	BOXER (230, 244 Axial load 1,1 - 1,4 Tons)			Steel (5x118 only)	Conical 60° K 24 M14x1,5x28,2/53 10.9 Deltaprotekt KL 100	5405.75	B0046-003
	BOXER (230, 244 Axial load from 1,8 Tons)			Steel (5x130 only)	Conical 60° K 24 M16x1,5x31/57 10.9 Deltaprotekt KL100	5405.76	B0046-004
	BOXER (250 Axial load 1.1 - 1,7 Tons)			Steel and Aluminium (5x118 only)	Conical 60° K 21 M14x1,5x27/62 10.9 Deltaprotekt KL100	5405.78 5405.88	B0046-006
	BOXER (250 Axial load from 1,6 Tons)			Steel and Aluminium (5x130 only)	Conical 60° K 21 M16x1,5x29/64 10.9 Deltaprotekt KL100	5405.79	B0046-007
	I-on (1) 4007 (V) 4008 (B)			Steel	Conical 60° K 21 M12x1,5 8 Yellow Zincplated	5405.81	DMTSB
	4007 (V) 4008 (B)			Aluminium	Flat K 21 M12x1,5 (2 pcs.) 8 Chromeplated	5405.82	DT0Y01
	I-on (1) 4007 (V) 4008 (B)			Steel and Aluminium	Head Ø 18 K 14,3 M12x1,5x42/47 10.9 White Zincplated	3714.28	CRP143A42

OE APPLICATION

Picture	Car Model			Wheel Type	Technical Characteristics	Replacement OEM Part. Number	Bimecc Part Nr.
PORSCHE							
	911 912 914 924 924 944			Aluminium	Spherical R14 K 19 M14x1,5 10 White Zincplated	N 020 112 1	D17R
	911 (930, 964, 991, 993, 996 from 2000, 997) Boxter (982, 986, 987) Cayman (9TA, 982) Panamera (970)			Aluminium	Spherical R14 K 19 M14x1,5x30/60 (2 pcs.) Deltaprotekt KL100	997 361 203 01	PS19D30-MWA
	Cayenne I (9PA)			Aluminium	Spherical R14 K 19 M14x1,5x37/6 (2 pcs.) 10.9 White Zincplated	7L0 601 139 A	PS19D37-MW
	Macan (95B) 911 (991, 997) Panamera (970) Cayman (987) Boxter (987)			Aluminium	Spherical R14 K 19 M14x1,5x30/60 (2 pcs.) Zinc Nickel black	996 352 086 02 WHT 006 978	PS19D30ZM-MWA
RENAULT							
	Clio (B, C57) Espacé (S115) Kangoo (KC) Laguna (B56, K56, LA, EA) Megane (BA, DA, LA, EA) Thalia/Symbol (B)	Megane (BA, DA, LA, EA) Thalia/Symbol (B) Twingo (C06) R5 (B-C40, F40) R19 (B-C53, X53, L53) R21 (L48)	R5 (B-C40, F40) R19 (B-C53, X53, L53) R21 (L48)	Steel	Conical 60° K 19 M12x1,5x25/51 10.9 White Zincplated	82 00 030 701 82 00 719 981	B15
	Capture (R) Clio (R) Grand Scenic (RFA) Kangoo (W, FW) Laguna (G) Megane (M, JM, Z, JZ, RFB)	Modus (P) Scenic (RFA) Talisman (RFD) Twingo (N, AH) Zoe (AG)		Steel and Aluminium	Conical 60° K 17 M12x1,5x24/49 10.9 White Zincplated	40 22 221 21R	B27
	Espace (RFC) Laguna (T)			Steel and Aluminium	Conical 60° K 17 M14x1,5x27/51 10.9 White Zincplated	77 03 003 009	C17D27
	Koleos (Y)			Steel	Conical 60° K 21 M12x1,25 8 Yellow Zincplated	40224-21001	DNIS
SAAB							
	900 (from 1994) 9-3 (from 2003) 9-5 (from 2005)			Steel and Aluminium	Conical 60° K 17 M12x1,5x25,8/54,3 10.9 Deltaprotekt KL 100	921152366 4908067	4908067

OE APPLICATION

Picture	Car Model	Wheel Type	Technical Characteristics	Replacement OEM Part. Number	Bimecc Part Nr.
SEAT					
	Arosa (6H, 6HS) Cordoba (6K, 6K/C) Ibiza (6K) Inca (9KS, 9KSF) Mii (AA) Toledo (1L 4x100 only)	Steel and Aluminium	Spherical R13 K 17 M12x1,5x24,5/45,7 10.9 White Zincplated	3A0 601 139 321 601 139C WHT 004 899	LS17A25F-Z
	Alhambra (7N) Altea (5P) Ateca (5FP) Cordoba (6L) Exeo (3R) Ibiza (6L, 6J, KJ)	Steel and Aluminium	Spherical R13 K 17 M14x1,5x27/47,5 10.9 White Zincplated	WHT 002 437	LS17D27F
	Alhambra (7MS from 1996 to 2000)	Steel and Aluminium	Spherical R14 K 19 M14x1,5x34/58 10.9 Zinc Nickel black	701 601 139 B	LS19D34F
	Alhambra (7MS from 2001 to 2010)	Steel and Aluminium	Spherical R14 K 19 M14x1,5x34/62 (2 pcs.) 10.9 Deltaprotjekt KL100	7M3 601 139B	LS19D34F-MW
SKODA					
	Citigo (AA) Favorit (781) Felicia (791, 795, 797)	Steel and Aluminium	Spherical R13 K 17 M12x1,5x24,5/45,7 10.9 White Zincplated	WHT 004 899 3A0 601 139	LS17A25F-Z
	Fabia (6Y, 5J) Karoq (NU) Kodiaq (NS) Octavia (1U, 1Z, 5E) Rapid (NH) Roomster (5J)	Steel and Aluminium	Spherical R13 K 17 M14x1,5x27/47,5 10.9 White Zincplated	WHT 002 437	LS17D27F
SMART					
	Forfour (454)	Steel and Aluminium	Head Ø 18 K 14,3 M12x1,5x42/47 10.9 White Zincplated	454 350 01 35 S1	CRP143A42
	Forfour (454)	Steel	Conical 60° K 21 M12x1,5 8 Yellow Zincplated	454 402 00 72	DMTSB
	Fortwo Forfour (W453)	Steel	Conical 60° K 17 M12x1,5x26/51 10.9 White Zincplated	A4539900007	B27

OE APPLICATION

Picture	Car Model	Wheel Type	Technical Characteristics	Replacement OEM Part. Number	Bimecc Part Nr.	
SUZUKI						
	Alto (FF, GF) Baleno (EG) Ignis (FH, MF) Grand Vitara (JT) Jimny (F-J) Kizashi (FR)	Liana (ER) Swift (EA, MA, AZ) SX4 Wagon R+ (EM) Celerio (LF)	Steel	Conical 60° K 19 M12X1,25 8 White Zincplated	09140-12042 D61	
	Baleno (EW) Ignis (MF) Jimny (GJ) Swift (AZ)		Steel and Aluminium	Conical 60° K 19 M12X1,25 8 White Zincplated	09159-12057 D31	
	Ignis (MH) Splash (EX) Swift (EZ/MZ, NZ/FZ) Vitara (LY) Wagon R+ (MM, H00)		Steel and Aluminium	Conical 60° K 17 M12x1,5x22/47,5 10.9 White Zincplated	43423-86G00 LC17A22F	
TESLA						
	Model S Model X		Aluminium	Conical 60° K 21 M14X1,5 10 Zincnickel + s/s cap	5 196 786 DF10	
TOYOTA						
	Auris (E15J, E18UM) Avenis (T22, T25, T27, M2) Camry (V2, V10) Carina (T19U) IQ (AJ1) Celica (T18, T20)	C-HR (AX1T) Corolla (E10, E11, E12, R1) Hiace (H1) Hilux (N1, N16, N25S) Paseo (L5) Previa (R3)	Prius (HW2, HW3, HW4, HW5) RAV 4 (A2, XA3) Urban Cruiser (XP11) Verso (XP12) Yaris (P1, P2, XP9, XP13M)	Steel	Conical 60° K 21 M12x1,5 8 Yellow Zincplated	90942-01007 90942-01007 DMTSB
	Auris (E15J, E18UM) Avenis (T22, T25, T27, M2) Camry (V2, V10) Carina (T19U) Celica (T18, T20) C-HR (AX1T)	Corolla (E10, E11, E12, R1) Hiace (H1) Hilux (N1, N16, N25S) IQ (AJ1) Paseo (L5) Previa (R3)	Prius (HW2, HW3, HW4, HW5) RAV 4 (A2, XA3) Urban Cruiser (XP11) Verso (XP12) Yaris (P1, P2, XP9, XP13M)	Aluminium	Flat K 21 M12x1,5 (2 pcs.) 8 Chromeplated	90942-01033 DYOY01
	4 Runner Land Cruiser Prado Rav 4 Highlander GS300-400-430 (from '08/96)	GX470 IS200-300 (from '07/01) Lexus ES300 LS400-430 (from '01/00) RX300-400H (from '01/98) SC300-400-430 (from '01/97)		Aluminium	Flat K 21 M12x1,5 (2 pcs.) 8 Chromeplated	90942-01058 DYOY03
	Land Cruiser (70, 100, 200, 400) Tundra Lexus (LX470, LX570)		Aluminium	Flat K 22 M14x1,5 (2 pcs.) 8 Chromeplated	90942-01103 DYOY04	

OE APPLICATION

Picture	Car Model	Wheel Type	Technical Characteristics	Replacement OEM Part. Number	Bimecc Part Nr.
	Aygo (AB1, 580W)	Steel	Conical 60° K 17 M12x1,5x21/47 10.9 White Zincplated	90942-W2001	C17A21
	Proace (V)	Steel	Conical 60° K 17 M12x1,25x26/49 (2 pcs.) 10.9 Deltaprotekt KL100	5405.72 160 873 44 80	C17B24-MW
	Proace (V)	Aluminium	Flat K 17 M12x1,25x17/57 (2 pcs.) 10.9 Deltaprotekt KL100	5405.67	VPE03
	Aygo (AB1, 580W)	Aluminium	Flat K 17 M12x1,5x32,5/53,5 (2 pcs.) 10.9 Deltaprotekt KL100	90942-W2002 5405.85	VPE05

VOLKSWAGEN

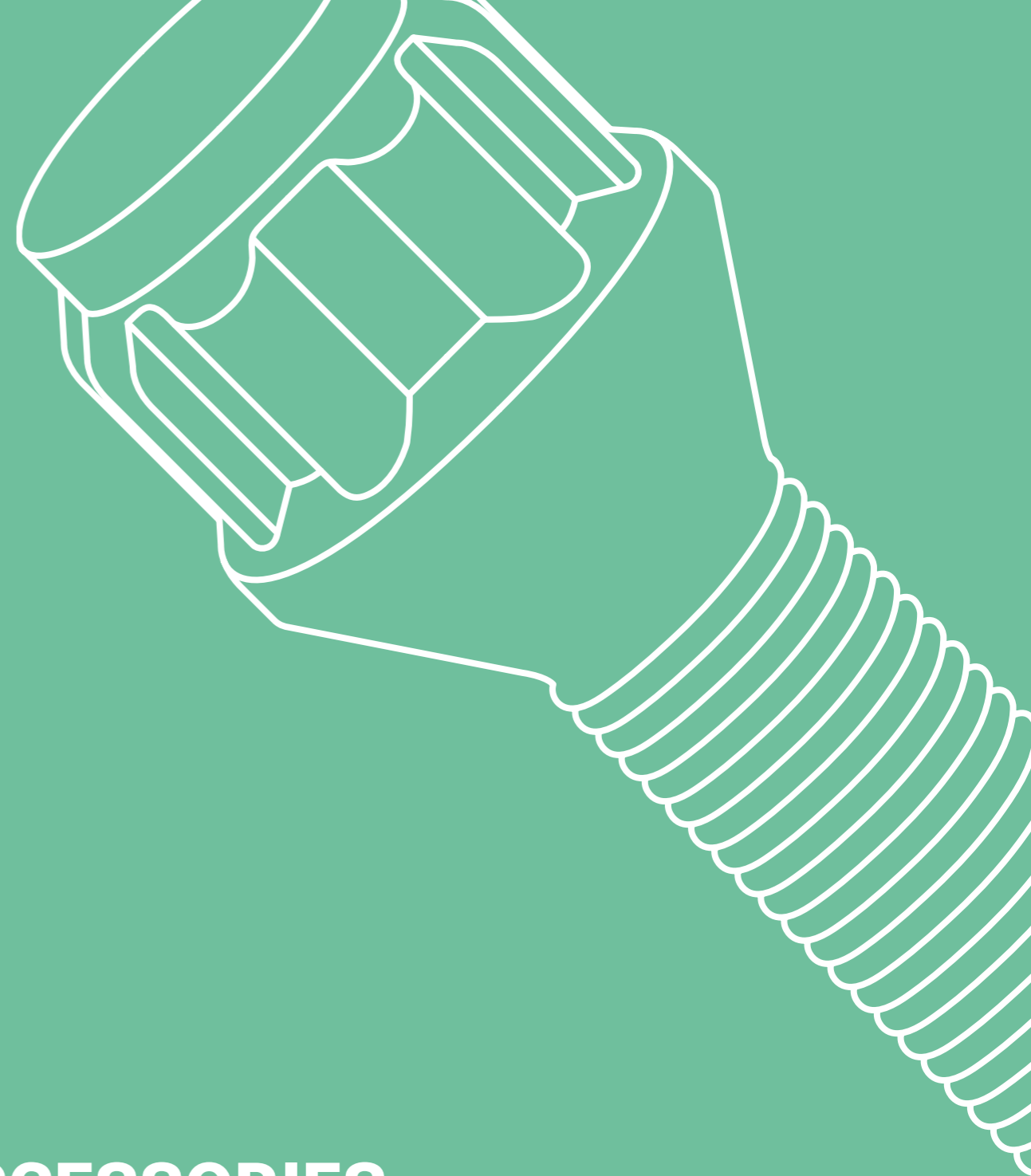
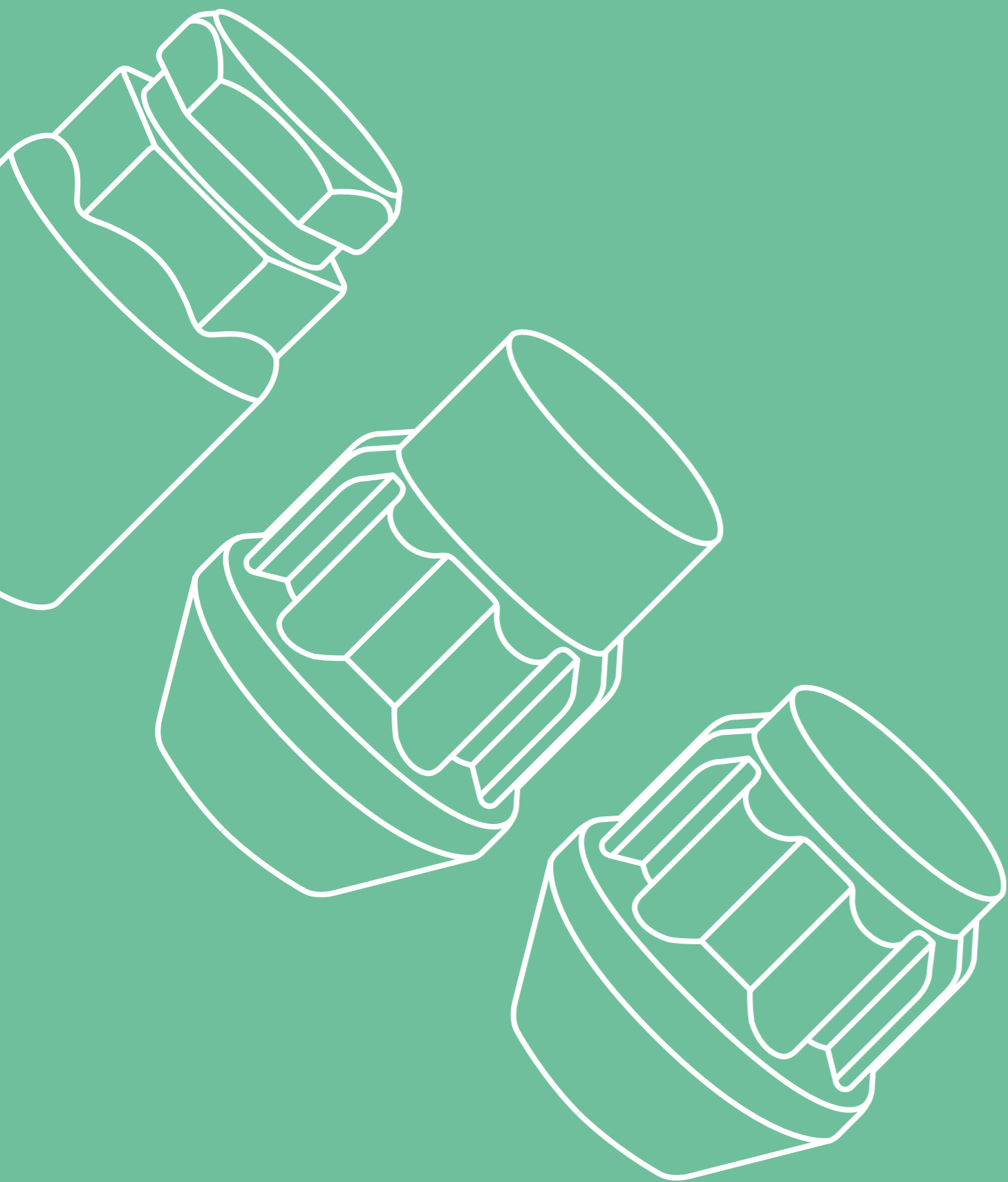
	Transporter T2 Transporter T3	Steel	Spherical R14 K 19 M14x1,5 10 White Zincplated	N 020 112 1	D17R	
	Caddy (9KVF, 9U) Corrado (53i only 4x100) Golf (155, 19E, 1H 4x100 only) Jetta (19E) Lupo (6X) Passat (35i, 35i-299)	Polo (86C, 6N, 6NF) Scirocco (53) Up (AA) Vento (1H 4x100 only)	Steel and Aluminium	Spherical R13 K 17 M12x1,5x24,5/45,7 10.9 White Zincplated	321 601 139 C 3A0 601 139 WHT 004 899	LS17A25F-Z
	Sharan (7M from 1995 to 2000) Transporter T4 (7DZ)	Steel and Aluminium	Spherical R14 K 19 M14x1,5x34/58 10.9 Zinc Nickel Black	701 601 139 B 7M0 601 139A	LS19D34F	
	Sharan (7M from 2000 to 2010) Transporter T4 (2001-2003)	Steel and Aluminium	Spherical R14 K 19 M14x1,5x34/62 (2 pcs.) 10.9 Deltaprotekt KL100	7M3 601 139 B	LS19D34F-MW	
	Beetle (16) Bora (1J, 9M, 1K) Caddy (2K, 2KN, 2CA) CC (358) Corrado (53i 5x100 only) Eos (1F)	Fox (5Z) Golf (1H 5x100 only, 1J, 1K, 1KM, 1KP, AU) Jetta (1KM, 16) New Beetle (9C, 1Y, 16) Passat (3B, 3BG, 3C, B8) Polo (9N, 6R, AW)	Steel and Aluminium	Spherical R13 K 17 M14x1,5x27/47,5 10.9 White Zincplated	WHT 002 437	LS17D27F

OE APPLICATION

Picture	Car Model	Wheel Type	Technical Characteristics	Replacement OEM Part. Number	Bimecc Part Nr.
	Phaeton (3D)	Aluminium	Spherical R13 K 17 M14x1,5x27/51 (2 pcs.) 10.9 White Zincplated	4D0 601 139 A	LS17D27F-MW2
	Touareg (7L, 7P) Transporter T5 (7H)	Aluminium	Spherical R14 K 19 M14x1,5x37/67 (2 pcs.) 10.9 White Zincplated	7L0 601 139 A	PS19D37-MW
	Touareg (CR)	Steel and Aluminium	Spherical R14 K 17 M14x1,5x30/59,5 (2 pcs.) 10.9 Deltaprotekt KL100	8R0 601 295	WS17D30-MW
	Crafter 30/35 (2EC1, 2FJ1) LT28/35 (2DM)	Steel	Spherical R14 K 19 M14x1,5x34/63 10.9 Zinc Nickel + Finigard 105	2D0 601 139 WHT 000 888	S19D34R14

VOLVO

	240-260 (P244, P245)	Steel and Aluminium	Conical 60° K 19 1/2" NF 8 White Zincplated + s/s cap	1273332	D33		
	S40/V40 (V)	Steel	Conical 60° K 21 M12x1,5 8 Yellow Zincplated	30870000 30873148	DMTSB		
	C30 (M) S40/V50 (M) S90/V90 (9) V40 (M)	Steel	Conical 60° K 19 M12x1,5 10 Deltaprotekt KL100	8665333 999359	D60FB		
	C30 (M) S40/V50 (M) S90/V90 (9) V40 (M)	Aluminium	Conical 60° K 19 M12x1,5 10 White Zincplated + s/s cap	31329645	DF02N		
	S70/V70 (L) 850 (L, LS, LW)	Steel and Aluminium	Conical 60° K 19 M12x1,75x28,5/55 10.9 White Zincplated	3546651	VOLVO		
	S60 (RH, F) S80 (T, A) V60 (F) C70 (N) S70/V70 (G) S90/V90 (P)	V70 (J) XC60 (D) V70/XC70 (B)	XC90 (C, L)	Steel and Aluminium	Conical 60° K 19 M14x1,5x34/60 (2 pcs.) 10.9 White Zincplated	31362432	C19D34-MW



ACCESSORIES

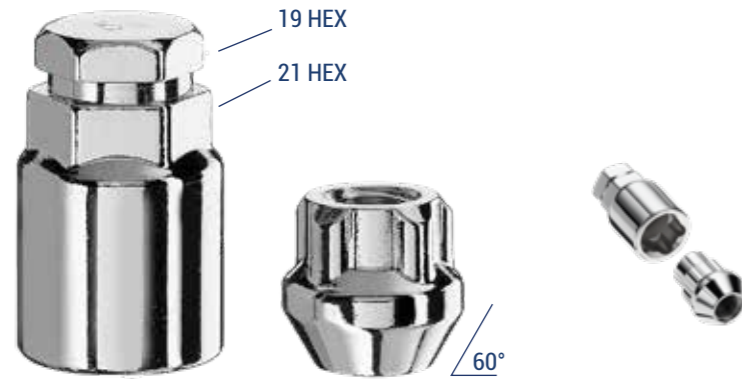
Lock kits	56-57
PCD	58
Studs	59-60
Wheel inserts	60
Wheel spacers	61
Hub rings	62-63

ACCESSORIES

LOCK NUTS

CONE SEAT 60°

ALSO AVAILABLE IN BLACK



OPEN WHEEL LOCK NUTS		
THREAD SIZE	HEX ADAPTOR	PART #
M12x1,5	19/21	UM0115
M12x1,25	19/21	UM0215
M12x1,75		enquire
M14x1,5	19/21	UM0415
M14x2		enquire
3/8 UNF		enquire
7/16 UNF		enquire
1/2 UNF	19/21	UM0012
9/16 UNF		enquire

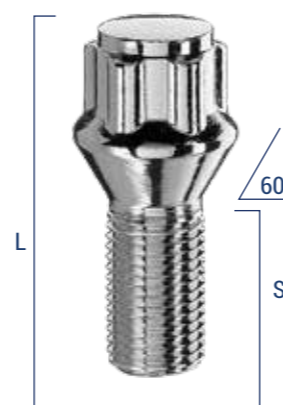
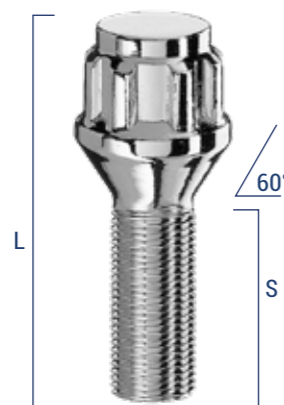


CLOSED WHEEL LOCK NUTS		
THREAD SIZE	HEX ADAPTOR	PART #
M12x1,5	19/21	UM115
M12x1,25	19/21	UM215
M12x1,75		enquire
M14x1,5	19/21	UM415
M14x2		enquire
3/8 UNF		enquire
7/16 UNF		enquire
1/2 UNF	19/21	UM012
9/16 UNF		enquire

LOCK BOLTS

CONE SEAT 60°

ALSO AVAILABLE IN BLACK



WHEEL LOCKS LUG BOLTS M12x1,5		
S	L	PART #
23	49	UB123
26	51	UB125
30	54	UB130
40	64	UB140

WHEEL LOCKS LUG BOLTS M12x1,25		
S	L	PART #
23	48	UB323
27	52	UB325
42	67	UB342
50	75	UB350

WHEEL LOCKS LUG BOLTS M14x1,5		
S	L	PART #
25	50	UB425
28	53	UB428
30	55	UB430
32	58	UB432
40	66	UB440
50	76	UB450

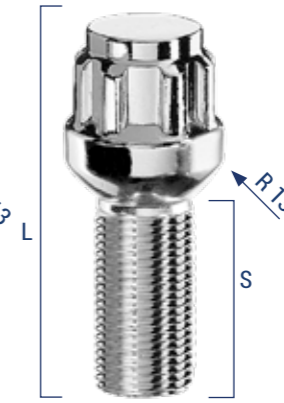
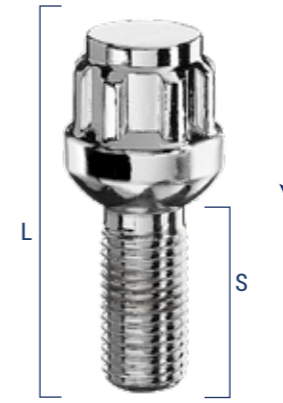
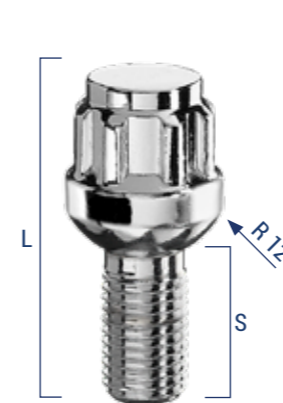
WHEEL LOCKS LUG BOLTS M14x1,25		
S	L	PART #
27	51	UB527
43	67	UB543
50	74	UB550

ACCESSORIES

LOCK BOLTS

BALL SEAT

ALSO AVAILABLE IN BLACK



WHEEL LOCKS LUG BOLTS M12X1,5 BALL SEAT		
S	L	PART #
23	48	UBR123

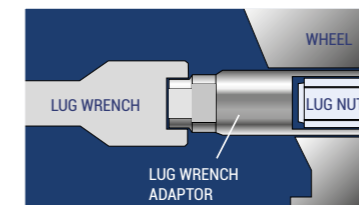
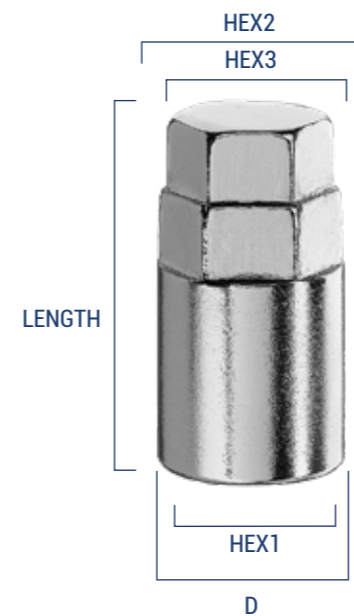
WHEEL LOCKS LUG BOLTS M12X1,5 BALL SEAT		
S	L	PART #
28	51	UBR130

WHEEL LOCKS LUG BOLTS M14X1,5 BALL SEAT		
S	L	PART #
28	51	UBR430
40	73	UBR440
45	78	UBR445

HEX ADAPTOR	
	PART #
17/19	

LUG WRENCH

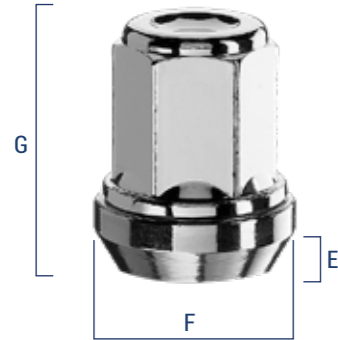
ADAPTORS



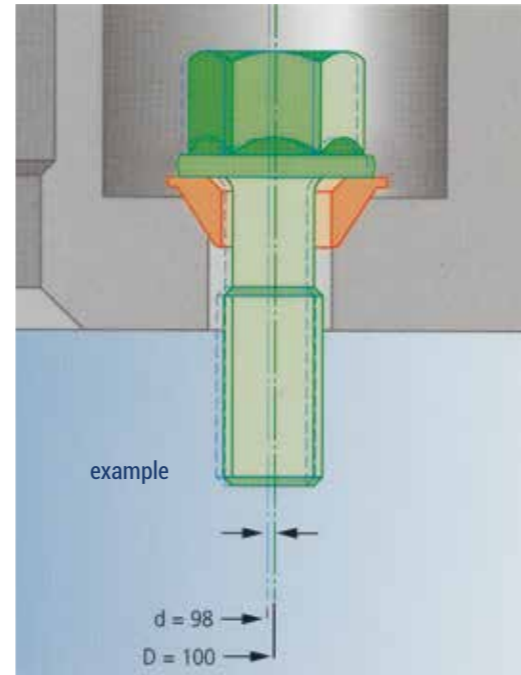
HEX1	HEX2	HEX3	LENGTH	D	PART #
17	21	19	45	24	AU1921
17	21	19	75	24	BR17.2119
19	19	17	68	27	BR19.1917
19	21	19	68	27	BR19.2119
17	19	17	78	24	BR17.1917

ACCESSORIES

PCD VARIATIONS NUTS



DIMENSIONS OF PCD VARIATION NUTS HEX 19					
CODE	THREAD	THREAD DEPTH	E	F	G
DV6LE	M12x1,5	26	4	26	34
DV2LE	M12x1,25	26	4	26	34
DV10LE	1/2 UNF	26	4	26	34

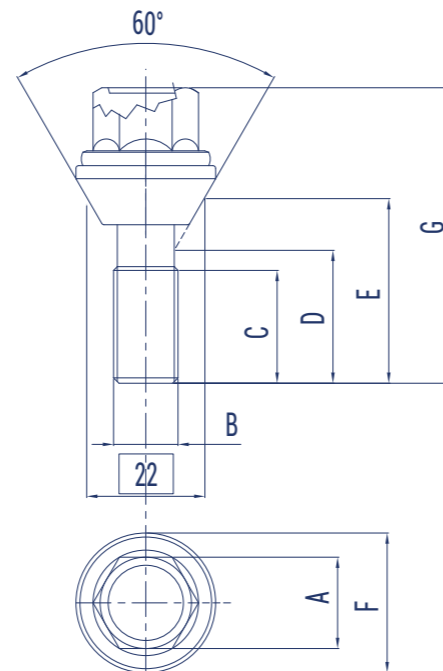


PCD VARIATIONS BOLTS

IMPORTANT: MAXIMUM GUARANTEE PCD VARIATION ON RADIUS: 1.2MM (SEE SKETCH)

DIMENSIONS OF PCD VARIATION BOLTS HEX 19							
CODE	A	B	C	D	E	F	G
B39LE	19	M12x1,25	21	24,5	34,6	26	57
B40LE	19	M12x1,25	21	29,5	39,6	26	62
B39LE/55	19	M12x1,25	37	46	55	26	77,4

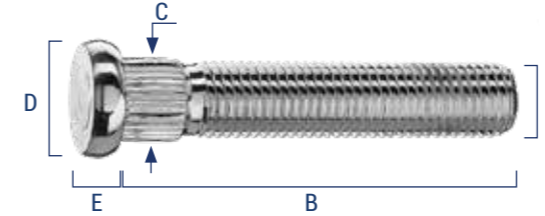
DIMENSIONS OF PCD VARIATION BOLTS HEX 17							
CODE	A	B	C	D	E	F	G
A39LE-22	17	M12x1,25	18,5	22	32,1	26	54,5
A39LE	17	M12x1,25	21	24,5	34,6	26	57
B48LE	17	M12x1,5	21	27	36,5	26	59
B48LE-30	17	M12x1,5	24	30	39,5	26	62
D39LE	17	M14x1,5	25	27	35	28	58



With this NEW item you can use one wheel with unified center bore for several applications. This bolt is fitted with a mobile conical washer which keeps the bolts axis perpendicular to the wheel while allowing radial displacement and a consequent PCD variation.

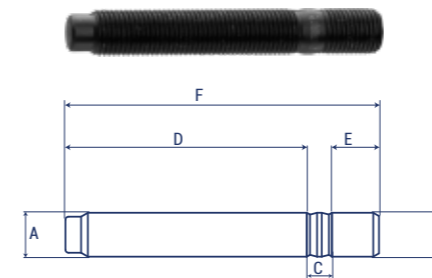
ACCESSORIES

SPLINE WHEEL STUDS



VEHICLE	PART #	A	B	C	D	E
Honda	CRP124A47	M12X1,5	47	12,4	18	5
Honda	CRP124A52	M12X1,5	52	12,4	18	5
Honda	CRP124A62	M12X1,5	62	12,4	18	5
Ford - Chevrolet	CRP130A36	M12X1,5	36	13,0	18	5
Ford - Chevrolet	CRP130A40	M12X1,5	40	13,0	18	5
Ford - Chevrolet	CRP130A42	M12X1,5	42	13,0	18	5
Ford - Chevrolet	CRP130A52	M12X1,5	52	13,0	18	5
Ford - Chevrolet	CRP130A55	M12X1,5	55	13,0	18	5
Ford - Chevrolet	CRP130A65	M12X1,5	65	13,0	18	5
Toyota - Mazda - Hyundai - Mitsubishi	CRP143A42	M12X1,5	42	14,3	18	5
Toyota - Mazda - Hyundai - Mitsubishi	CRP143A57	M12X1,5	57	14,3	18	5
Subaru - Suzuki - Kia	CRP143B40	M12X1,25	40	14,3	18	5
Subaru - Suzuki - Kia	CRP143B52	M12X1,25	52	14,3	18	5
Subaru - Suzuki - Kia	CRP143B57	M12X1,25	57	14,3	18	5
Subaru - Suzuki - Kia	CRP143B62	M12X1,25	62	14,3	18	5
Toyota - Mazda - Hyundai - Mitsubishi	CRP143A62	M12X1,5	62	14,3	18	5
Offroads	CRP157E46D20	1/2"UNF	1/2"UNF	15,7	20	5
Porsche	CRP149D45	M14X1,5	45	14,9	20	5

HUB STUDS

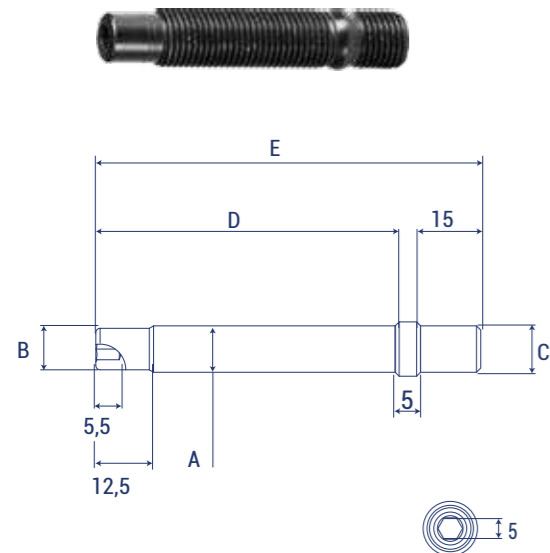


Part nr.	A	B	C	D	E	F	Quality Class	Surface	Res. to corrosion
PRBA68	12x1.25	12x1.5	8	45	15	68	10.9	ZnNi Black	>500h SST
PRBA82	12x1.25	12x1.5	8	59	15	82	10.9	ZnNi Black	>500h SST
PRBA100	12x1.25	12x1.5	8	77	15	100	10.9	ZnNi Black	>500h SST

ACCESSORIES

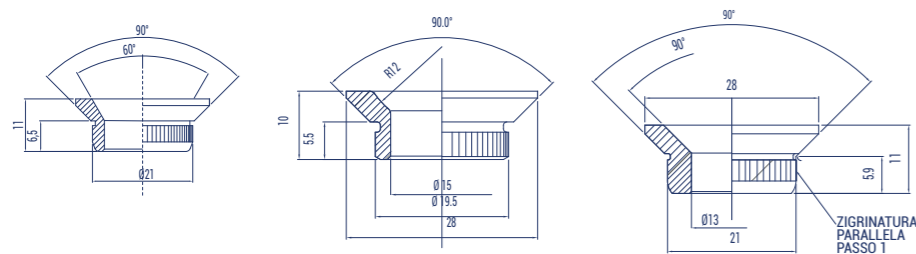
HUB

STUDS (WITH HEXAGONAL KEY)



Part nr.	A	B	C	D	E	Quality Class	Surface	Res. to corrosion
PRA68CH5	12x1.5	9.7	12x1.5	48	68	10.9	ZnNI Black	>500h SST
PRA75CH5	12x1.5	9.7	12x1.5	55	75	10.9	ZnNI Black	>500h SST
PRA82CH5	12x1.5	9.7	12x1.5	62	82	10.9	ZnNI Black	>500h SST
PRA90CH5	12x1.5	9.7	12x1.5	70	90	10.9	ZnNI Black	>500h SST
PRB68CH5	12x1.25	9.7	12x1.25	48	68	10.9	ZnNI Black	>500h SST
PRB75CH5	12x1.25	9.7	12x1.25	55	75	10.9	ZnNI Black	>500h SST
PRB82CH5	12x1.25	9.7	12x1.25	62	82	10.9	ZnNI Black	>500h SST
PRB90CH5	12x1.25	9.7	12x1.25	70	90	10.9	ZnNI Black	>500h SST
PRD68CH5	14x1.5	11.7	14x1.5	48	68	10.9	ZnNI Black	>500h SST
PRD75CH5	14x1.5	11.7	14x1.5	55	75	10.9	ZnNI Black	>500h SST
PRD82CH5	14x1.5	11.7	14x1.5	62	82	10.9	ZnNI Black	>500h SST
PRD90CH5	14x1.5	11.7	14x1.5	70	90	10.9	ZnNI Black	>500h SST
PRF68CH5	14x1.25	11.7	14x1.25	48	68	10.9	ZnNI Black	>500h SST
PRF75CH5	14x1.25	11.7	14x1.25	55	75	10.9	ZnNI Black	>500h SST
PRF82CH5	14x1.25	11.7	14x1.25	62	82	10.9	ZnNI Black	>500h SST
PRF90CH5	14x1.25	11.7	14x1.25	70	90	10.9	ZnNI Black	>500h SST

WHEEL INSERTS CUSTOM DESIGNED



Part nr.	Description	Surface	Res. to corrosion
BM	Wheel Insert inside ϕ 16mm.	Zn	>96h SST
BH	Wheel Insert inside ϕ 15mm.	Zn	>96h SST
BP	Wheel Insert inside ϕ 13mm.	Zn	>96h SST

THREADED BUSHINGS



Part nr.	Thread
2087-99-1A	M12x1,5
2087-99-1B	M12x1,25
2087-99-1D	M14x1,5
2087-99-1F	M14x1,25

ACCESSORIES

WHEEL SPACERS

AVAILABLE IN DIFFERENT SIZES FOR ALL CARS AND MODELS - APPLICATION LIST AVAILABLE

To give your car the final visual and performance touch, Bimecc has created a complete line of Aluminum hub centric Wheel Spacers. They are designed to quickly and easily adapt your vehicle to a wider and more stable stance.

They give your car a more aggressive look, improve handling performance and optimize the lateral stability! They extend wheel width for higher stability and increased safety.

You can use wheel spacers to provide your car with an offset not offered by the wheel manufacturer.

40 TO 80 mm TRACK WIDENING



THICK SPACERS

This spacer is fitted to the hub with Bimecc Short Head wheel bolts and carries new threaded steel inserts for the existing wheel bolt.

40 TO 90 mm TRACK WIDENING



OFF ROAD TYPE

This spacer is fitted to the hub with Bimecc Short Head nuts and carries new wheel studs for the existing wheel nuts.

10 TO 40 mm TRACK WIDENING



LUG THROUGH TYPE

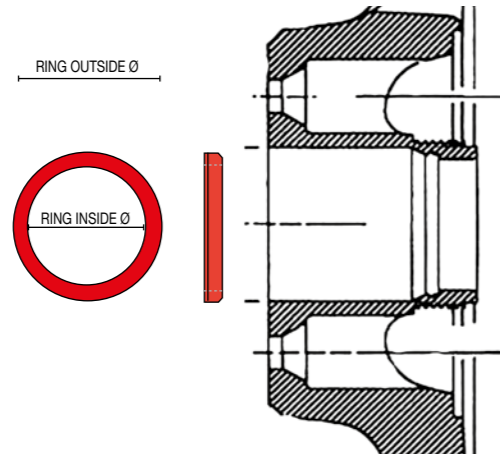
This spacer is fitted between the wheel and hub, using longer wheel bolts available in our range

- CUSTOM DESIGNED
- CNC MACHINED
- AVAILABLE FOR MOST CARS
- SUITABLE FOR OE OR AFTERMARKET WHEELS
- 4, 5, 6, 8 HOLES / STUDS
- DIAMOND CUT FINISHING

BENEFITS OF WHEEL SPACERS:

Redistributes center of gravity; reduces risk of rollover
 Better traction and cornering
 Vehicle can still use factory rims
 Wider tires can be placed on the factory rims
 Allows better control at greater inclined angles
 Improved appearance!

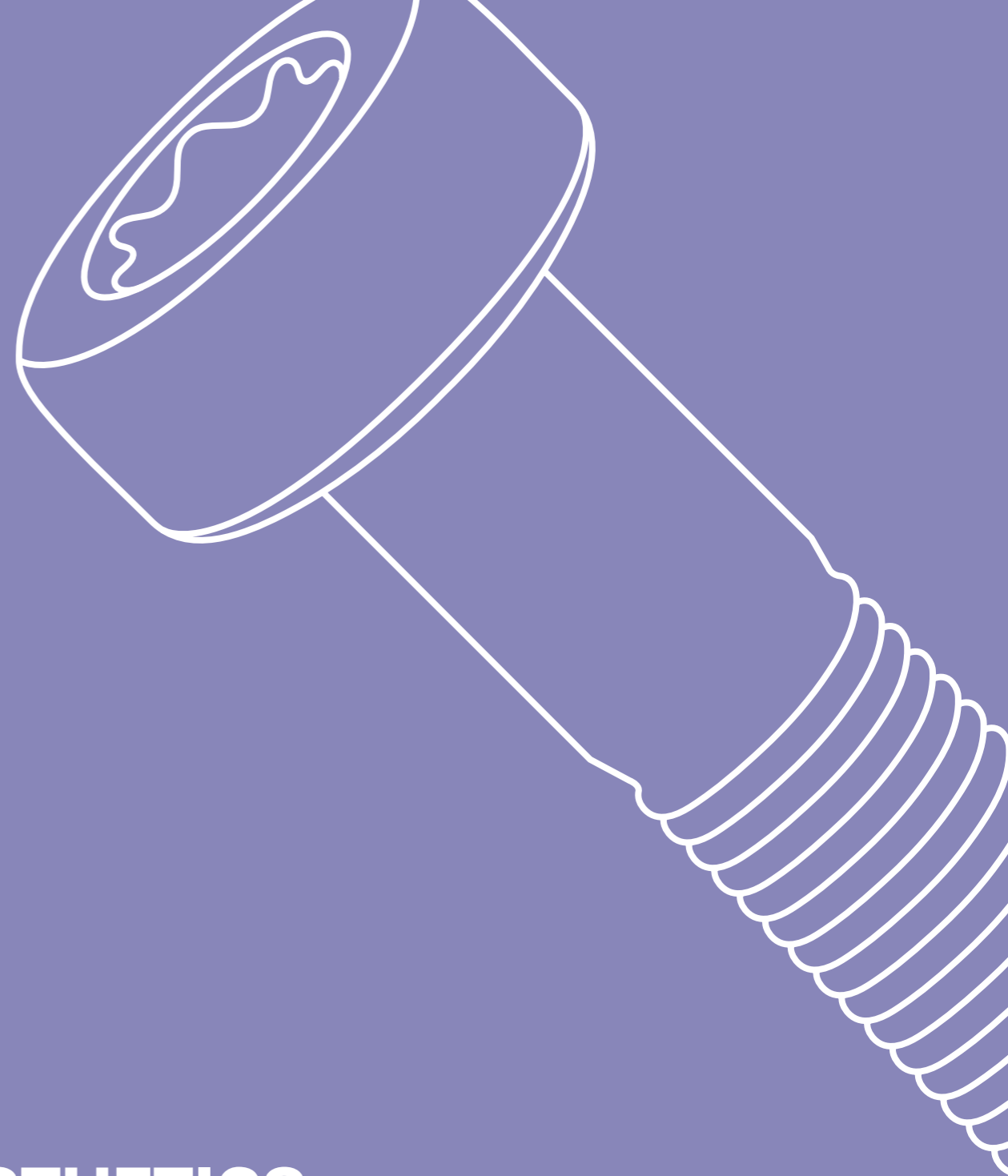
ACCESSORIES



ACCESSORIES



		PLASTIC HUB RING										ALUMINUM HUB RING												
		RING OUTSIDE DIAMETER (mm)										RING OUTSIDE DIAMETER (mm)												
		60.1	63.3	63.3	63.4	64.0	65.1	66.6	67.1	70.0	70.1	70.4	71.6	72	72.2	72.6	73.1	74.1	75	76	79,5			
RING INSIDE DIAMETER (mm)	52.1	AP601521			AP634521									AP72520			AP730521					52.1		
	54.1	AP601541	AP633541	AP633541U	AP634541	AP640541			AP671541			AP704541		AP72540	AP722541	AP726541 AN726541	AP731541	AP741541	AN75541	AP76540			54.1	
	56.1	AP601561	AP633561	AP633561U	AP634561	AP640561		AP666561	AP671561	AP700561U		AP704561	AP716561	AP72561	AP722561	AP726561 AN726561	AP731561		AN75561	AP76561			56.1	
	56.6	AP601566	AP633566	AP633566U	AP634566	AP640566		AP666566	AP671566	AP700566U	AP701566	AP704566	AP716566	AP72566	AP722566	AP726566 AN726566	AP731566	AP741566	AN75566	AP76566			56.6	
	57.1	AP601571	AP633571	AP633571U	AP634571	AP640571		AP666571	AP671571	AP700571U	AP701571	AP704571		AP72571 AP72571A	AP722571 AP722571A	AP726571 AN726571	AP731571	AP741571	AN75571	AP76571A	AP795571		57.1	
	58.1	AP601581	AP633581	AP633581U	AP634581	AP640581			AP671581	AP700581U	AP701581	AP704581			AP72581	AP722581	AP726581 AN726581	AP731581	AP741581	AN75581	AP76581		58.1	
	58.6			AP633586U	AP634586				AP670586						AP72586			AP730586					58.6	
	59.1	AP601591	AP633591	AP633592U		AP640591			AP671591								AN726591	AP731591		AN75591			59.1	
	59.6									AP700595U	AP701596						AN726596	AP730596		AN75596	AP76596		59.6	
	60.1		AP633601	AP633602U	AP634601	AP640601	AP651601		AP671601	AP700601U	AP701601		AP704601	AP716601	AP72601	AP722601	AP726601 AN726601	AP731601	AP741601	AN75601	AP76601	AP795601		60.1
	63.4						AP651634	AP666633	AP671634	AP700634U	AP701634		AP704634		AP72634	AP722634	AP726634 AN726634	AP731634	AP741634	AN75634	AP76634			63.4
	64.1								AP671641	AP700642U	AP701641		AP704641	AP716641	AP72641	AP722641	AP726641 AN726641	AP731641	AP741641	AN75641	AP76641	AP795641		64.1
	65.1							AP666651	AP671651	AP700651U	AP701651		AP704651		AP72651	AP722651	AP726651 AN726651	AP731651	AP741651	AN75651	AP76651	AP795651		65.1
	66.1								AP671661	AP700662U	AP701661		AP704661	AP716661	AP72661	AP722661	AP726661 AN726661	AP731661	AP741662	AN75661	AP76661	AP795661		66.1
	66.45										AP701664		AP704665				AP726665A	AP731664		AP76665A	AP795664		66.45	
	66.6									AP700666U	AP701666		AP704666	AP716666	AP72666	AP722666	AP726666 AN726666	AP731666	AP741666	AN75666	AP76666	AP795666		66.6
	67.1									AP700671U	AP701671		AP704671	AP716671	AP72671	AP722671	AP726671 AN726671	AP731671	AP741671	AN75671	AP76671	AP795671		67.1
	69.1										AP701691							AP731691			AP76691		69.1	
	69.6																				AP76696		69.6	
	70.2													AP716703			AP731701 AP731703	AP741701			AP76702	AP795703	70.2	
	70.6													AP716706							AP76706	AP795707	70.6	
	71.5																	AP731716	AP741716		AP76716	AP795715	71.5	
	72.6																		AP741726U AN741726		AP76726 AP760726U	AP795725	72.6	
	74.1																				AP76741 AP760741U	AP795741	74.1	



AESTHETICS

Plastic cover caps	66
Studs and Nuts	67
Wheel center caps	68

AESTHETICS

PLASTIC COVER CAPS

17 - 19 - 21mm HEX

BLACK PLASTIC



HEX	PART #
17	BV17-000
19	BV19-000
21	BV21-000

CHROME PLASTIC



HEX	PART #
17	BV17-000CR
19	BV19-000CR
21	BV21-000CR

PLASTIC COVER CAPS

17 - 19mm HEX

BLACK PLASTIC



HEX	PART #
17	BVC17-000
19	BVC19-000

AESTHETICS

AESTHETIC & MODULAR

WHEEL STUDS AND NUTS

- STAINLESS STEEL RUST PROOF
- RESISTANT TO MOST COMMON WASHING ACIDS

• Self tapping
• Stainless steel AISI 304

• Self tapping
• Stainless steel AISI 304

• Self tapping
• Stainless steel AISI 304
• Torx T25 key

• Quality 10.9
• Stainless steel
• X5CrNiMo 17 13 3
• Torx T40 key

CODE	D	A	B	C
M7-1-25TX	M7x1	25	17	5,5
M7-1-32TX	M7x1	32	21	5,5
M8-34TX	M8x1,25	34	15	5,5

AESTHETIC & MODULAR

WHEEL STUDS AND NUTS

• Chromed steel
• Quality 10.9

• Dacromet coating
• Class 10

• Dacromet coating
• Class 10

• Titanium

CODE	A	B	C
M7-1-31-CR	31	7	13
M8-1-32-CR	32	8	14

CODE
DM7-1-320BR

CODE
DM8

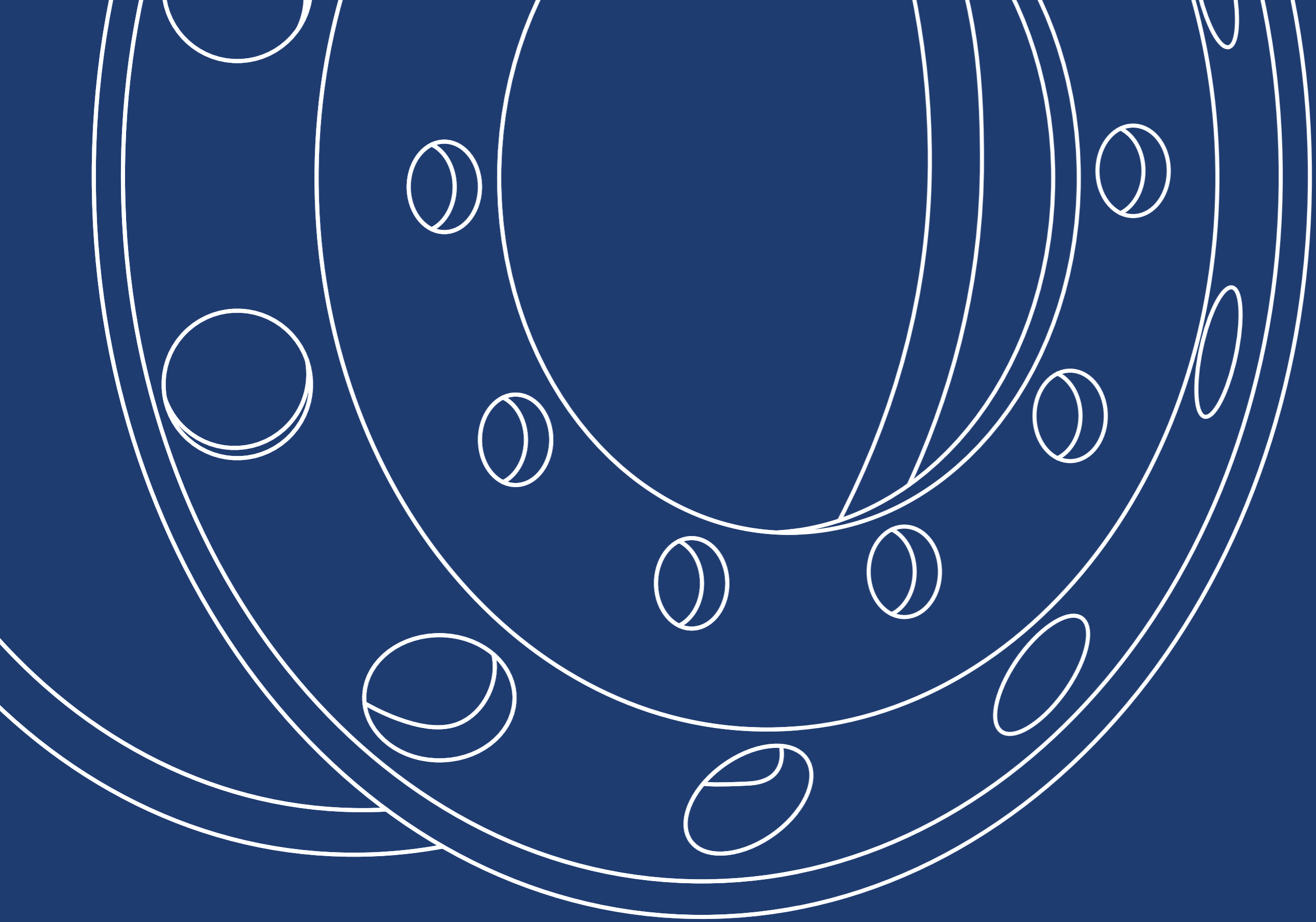
CODE
014

AESTHETICS

WHEEL CENTER CAPS



BIMECC PART #	OE PART #	OUTSIDE DIAMETER	APPLICATION
CS65-POR	000 044 605 09	64,5 MM.	PORSCHE
CS57-MINI	3613 171 069	56,5 MM.	MINI
CS55-FORD	6M21-1003-AA	53 MM.	FORD
CS59-AUDI	4B0 601 170	59 MM.	AUDI
CS69-AUDI-CR	8T0 601 170 A	69 MM.	AUDI
CS68-BMW	3613 6783 536 03	68,3 MM.	BMW
CS48-FIAT	0735448759	48,3 MM.	FIAT
CS74-MB	A1714000025	74,2 MM.	MERCEDES BENZ
CS76-PORSCHE	99336130310	76,7 MM.	PORSCHE
CS55-VW	6N0 601 171	55,5 MM.	VOLKSWAGEN
CS65-VW	3B7 601 171	65,5 MM.	VOLKSWAGEN
CS64-VOLVO	30748052	64 MM.	VOLVO
C33-BMWI3	3613 68 52 052	56,5 MM.	BMW I3



TRUCK

TRUCK INDEX

NUTS

NUTS

74

- flat nuts
- limes rings
- spherical nuts
- wheel nuts with thrust plate
- wheel nuts with thrust plate and sleeves

ACCESSORIES

LOCK KIT

79

- steel wheel
- alloy wheel

AESTHETICS

COVER CAPS

80

LUG NUTS

FLAT NUTS AND LIMES RINGS

PICTURE	DIN	FORM	PART NUMBER	DESCRIPTION	QUALITY CLASS FINISHING	TECHNICAL DETAILS
	74361-2	B	JDBC14A19015Z	FLAT NUT	10 white zinc plated	M14x1,5 H.15 mm. HEX 19
	74361-2	B	JDBC16A22017Z	FLAT NUT	10 white zinc plated	M16x1,5 H.17 mm. HEX 22
	74361-2	C	JRCI14Z26006V	SPHERICAL RING "LIMES" TYPE	HRC 44-51 Delta Protekt KL100	Ø 14,5 H.6 mm.
			JRCI16Z27007V			Ø 16,5 H.7 mm.
	74361-2	B	JDBC18A24018T	FLAT NUT	10 Delta Protekt KL100	M18x1,5 H.18 mm. HEX 24
	74361-2	B	JDBC20A27020T	FLAT NUT	10 Delta Protekt KL100	M20x1,5 H.20 mm. HEX 27
	74361-2	B	JDBC22A30022T	FLAT NUT	10 Delta Protekt KL100	M22x1,5 H.22 mm. HEX 30
	74361-2	C	JRCI18Z29007T	SPHERICAL RING "LIMES" TYPE	HRC 44-51 Delta Protekt KL100	Ø 18,5 H.7 mm.
			JRCI20Z34008T			Ø 20,5 H.8 mm.
			JRCI22Z34008T			Ø 22,5 H.8 mm.








LUG NUTS

SPHERICAL NUTS

PICTURE	DIN	FORM	PART NUMBER	DESCRIPTION	QUALITY CLASS FINISHING	TECHNICAL DETAILS
	74361-2	A	D17R	SPHERICAL NUT Radius 14°	10 white zinc plated	M14x1,5 H.20 mm. HEX 19
	74361-2	A	JDAC16A24026Z	SPHERICAL NUT Radius 16°	10 white zinc plated	M16x1,5 H.26 mm. HEX 24
	74361-2	A	JDAC18A24025T	SPHERICAL NUT Radius 16°	10 Delta Protekt KL100	M18x1,5 H. 25 mm. HEX 24
	74361-2	A	JDAC20A27027T	SPHERICAL NUT Radius 18°	10 Delta Protekt KL100	M20x1,5 H.27 mm. HEX 27
	74361-2	A	JDAC22A27030F	SPHERICAL NUT Radius 18°	10 Phosphated	M22x1,5 H. 30 mm. HEX 27
	74361-2	A	JDAC22A30030T	SPHERICAL NUT Radius 18°	10 Delta Protekt KL100	M22x1,5 H. 30 mm. HEX 30







LUG NUTS

WHEEL NUTS W/ THRUST PLATE

PICTURE	DIN	FORM	PART NUMBER	DESCRIPTION	QUALITY CLASS FINISHING	TECHNICAL DETAILS
	74361-3	N (H)	JDNC18A27025G	WHEEL NUT WITH THRUST PLATE	10 Geomet 500A Plus M	M18x1,5 H.25 mm. HEX 27
	74361-3	N (H)	JDNC20A30027G	WHEEL NUT WITH THRUST PLATE	10 Geomet 500A Plus M	M20x1,5 H.27 mm. HEX 30
	74361-3	N (H)	JDNC22A32027G	WHEEL NUT WITH THRUST PLATE	10 Geomet 500A Plus M	M22x1,5 H.27 mm. HEX 32
	74361-3	N (H)	JDNC22A32031G	WHEEL NUT WITH THRUST PLATE	10 Geomet 500A Plus M	M22x1,5 H.31 mm. HEX 32
	74361-3	N (H)	JDNC22A33031G	WHEEL NUT WITH THRUST PLATE	10 Magni 511	M22x1,5 H. 31 mm. HEX 33
	74361-3	N (H)	JDNC78E33030G	WHEEL NUT WITH THRUST PLATE	10 Magni 511	7/8" 11BSF H.30 mm. HEX 33
	74361-3	N (H)	JDNC78D33030G	WHEEL NUT WITH THRUST PLATE	10 Magni 511	7/8" 14UNF H.30 mm. HEX 33

LUG NUTS





WHEEL NUTS W/ THRUST PLATE AND SLEEVES

PICTURE	DIN	FORM	PART NUMBER	DESCRIPTION	QUALITY CLASS FINISHING	TECHNICAL DETAILS
	AS PER ALCOA REQUIREMENTS		JFKC22A32036T	WHEEL NUT WITH THRUST PLATE AND SHORT SLEEVE FOR ALCOA WHEELS	10 Delta Protekt KL100	M22x1,5 H.36 mm. HEX 32
	AS PER ALCOA REQUIREMENTS		JFLC22A32046T	WHEEL NUT WITH THRUST PLATE AND LONG SLEEVE FOR ALCOA WHEELS	10 Delta Protekt KL100	M22x1,5 H.46 mm. HEX 32
	74361-3	K	JDKC18A27035T	WHEEL NUT WITH THRUST PLATE AND SHORT SLEEVE FOR ALLOY WHEELS	10 Delta Protekt KL100	M18x1,5 H.35 mm. HEX 27
	74361-3	L	JDLC18A27052T	WHEEL NUT WITH THRUST PLATE AND LONG SLEEVE FOR ALLOY WHEELS	10 Delta Protekt KL100	M18x1,5 H.52 mm. HEX 27
	74361-3	K	JDKC20A30039T	WHEEL NUT WITH THRUST PLATE AND SHORT SLEEVE FOR ALLOY WHEELS	10 Delta Protekt KL100	M20x1,5 H.39 mm. HEX 30
	74361-3	L	JDLC20A30062T	WHEEL NUT WITH THRUST PLATE AND LONG SLEEVE FOR ALLOY WHEELS	10 Delta Protekt KL100	M20x1,5 H.62 mm. HEX 30

LUG NUTS

WHEEL NUTS

W/ THRUST PLATE AND SLEEVES

PICTURE	DIN	FORM	PART NUMBER	DESCRIPTION	QUALITY CLASS FINISHING	TECHNICAL DETAILS
	74361-3	K	JDKC22A32039T	WHEEL NUT WITH THRUST PLATE AND SHORT SLEEVE FOR ALLOY WHEELS	10 Delta Protekt KL100	M22x1,5 H.39 mm. HEX 32
	74361-3	L	JDLC22A32061T	WHEEL NUT WITH THRUST PLATE AND LONG SLEEVE FOR ALLOY WHEELS	10 Delta Protekt KL100	M22x1,5 H.61 mm. HEX 32
	74361-3	K	JDKC78E32039T	WHEEL NUT WITH THRUST PLATE AND SHORT SLEEVE FOR ALLOY WHEELS	10 Delta Protekt KL100	7/8" 11BSF H.39 mm. HEX 32
			JDKC78D32039T			7/8" 14UNF H.39 mm. HEX 32
	74361-3	L	JDLC78E32061T	WHEEL NUT WITH THRUST PLATE AND LONG SLEEVE FOR ALLOY WHEELS	10 Delta Protekt KL100	7/8" 11BSF H.61 mm. HEX 32
			JDLC78D32061T			7/8" 14UNF H.61 mm. HEX 32

ACCESSORIES

STEEL WHEEL

LOCK KITS

PICTURE	PART NUMBER	QUALITY CLASS FINISHING	TECHNICAL DETAILS
	JLNC18A27021Z	10 Zintek 200 DS	M18x1,5 H.21 mm.
	JLNC20A30021Z		M20x1,5 H.21 mm.
	JLNC22A32021Z		M22x1,5 H.21 mm.
	JLNC78E33021Z		7/8" 11BSF H.21 mm.
	JKEYN18A	10 Zinc Nickel	HEX 27 mm.
	JKEYN20A		HEX 30 mm.
	JKEYN22A		HEX 32 mm.
	JKEYN78E		HEX 33 mm.

ALLOY WHEEL

LOCK KITS

PICTURE	PART NUMBER	QUALITY CLASS FINISHING	TECHNICAL DETAILS
	JLKC22A32039Z	10 Zintek 200 DS	M22x1,5 H.39 mm.
	JLLC22A32061Z		M22x1,5 H.61 mm.
	JKEYK22A	10 Zinc Nickel	HEX 32 mm.

AESTHETICS

COVER CAPS

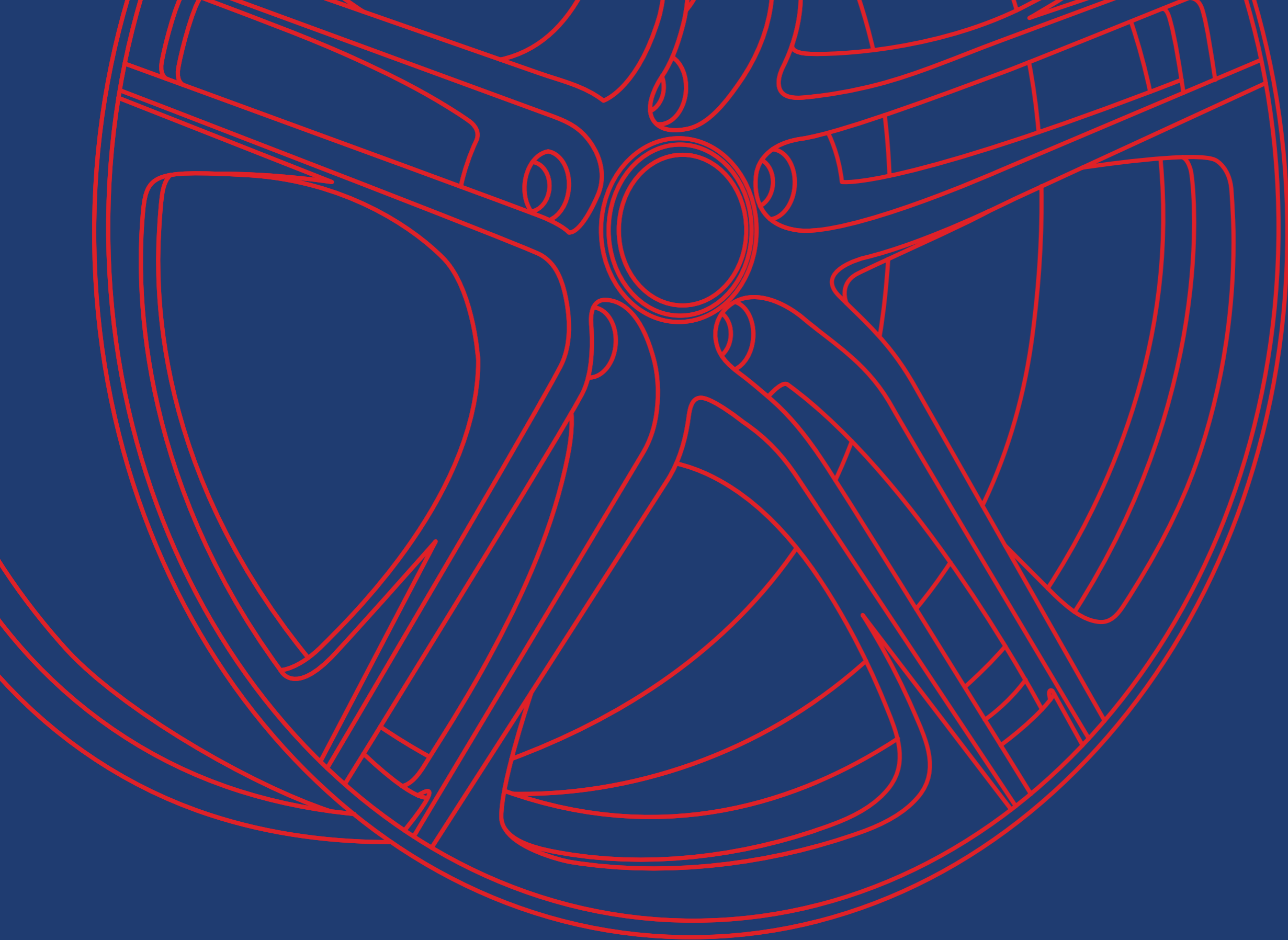
CHOOSE THE RIGHT COVER CAP FOR YOUR NUT



Part Number JCDP58N32045C



Part Number JC DL55N32045L



edgeX
The Shape of Evolution

EDGEX® Bimecc's EDGEX® patented system is a new range of fastening products, specifically studied for small hole alloy wheels.

EDGEX® summarizes Bimecc's thirty-year experience in manufacturing alloy wheels fasteners.

EDGEX® reaches high level performances: reduced dimensions and weight, mechanical characteristics in compliance with international ISO standards, high resistance to corrosion over time, use of very high quality steel and last but not least a modern and innovative design.

EDGEX® consists of two product lines, bolts and nuts, whose main characteristic is the polygonal key made of two regular pentagons symmetrically disposed.

This particular geometry not only offers remarkable technical and functional advantages, but gives the product a captivating aesthetic aspect, which intensifies the design characteristics of the most modern alloy wheels.

EDGEX® is available with two surface treatments: white zinc plating or black zinc plating which has a very high resistance to corrosion.

The product is packaged in small cardboard boxes of 20/24/32 pieces and is supplied with two types of wrench: a wrench with a double hexagonal key and a socket wrench.



THE ADVANTAGES OF EDGEX®

EDGEX® Bolts and Nuts represent a remarkable innovation which ensures great advantages for fitting:

- The polygonal Key guarantees more efficient torque transmission during tightening;
- The nut is a single piece. The EDGEX® nut guarantees protection from corrosion for life in comparison to a double piece nut, whose upper part – the spherical cap- could be lost over time and permit corrosion;
- The single piece nut is more resistant to impacts; the double piece could easily lose the spherical cap due to impacts;
- EDGEX® Bolts are verified Class 10.9. This class is obtained with a special heat treatment that guarantees 90% of tempered martensite in compliance with international standard ISO 898;
- The surface treatment, specifically studied for EDGEX®, both in black and white, completely protects the internal part of the nut, impeding the start of corrosion. So the thread remains intact over time;
- Bolts and nuts are supplied with EDGEX® keys, specifically designed for a precise coupling.



EDGEX® INDEX

NUTS

TUNER NUTS	90
• 20mm outside diameter	
• 23mm outside diameter	

BOLTS

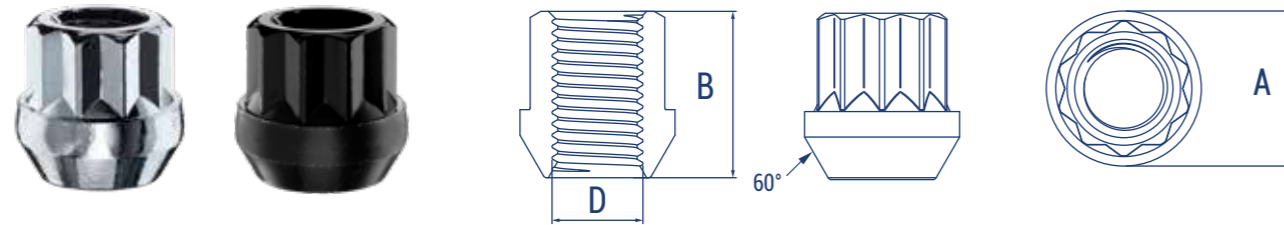
TUNER BOLTS	98
• 20mm outside diameter	
• 23mm outside diameter	

ACCESSORIES

ADAPTORS	104
----------	-----

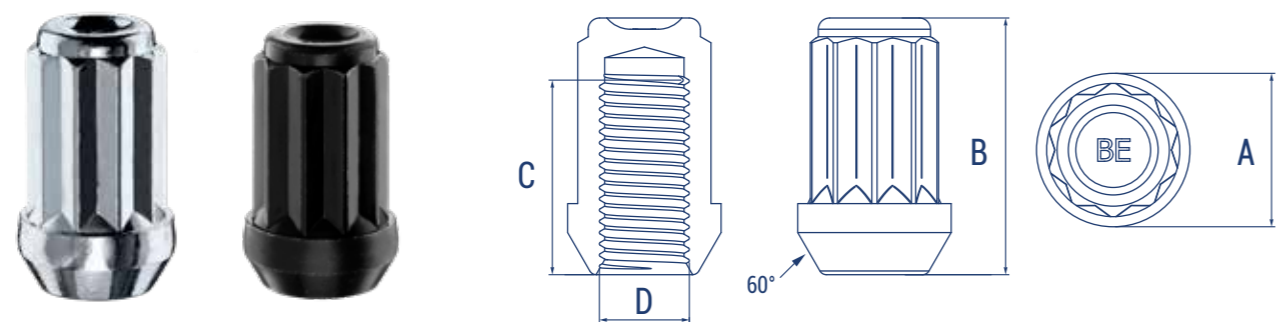
TUNER NUTS

20 mm OUTSIDE DIAMETER
22 mm LENGTH



Part nr.	A	B	D	Type	Seat	Quality Class	Surface	Res. to corrosion
TN20A22OP	20	22	M12x1.5	OPEN	60°	8	Zn White	>96h SST
TN20A22OP-ZNN	20	22	M12x1.5	OPEN	60°	8	ZnNI Black	>500h SST
TN20B22OP	20	22	M12x1.25	OPEN	60°	8	Zn White	>96h SST
TN20B22OP-ZNN	20	22	M12x1.25	OPEN	60°	8	ZnNI Black	>500h SST
TN20E22OP	20	22	1/2 UNF	OPEN	60°	8	Zn White	>96h SST
TN20E22OP-ZNN	20	22	1/2 UNF	OPEN	60°	8	ZnNI Black	>500h SST

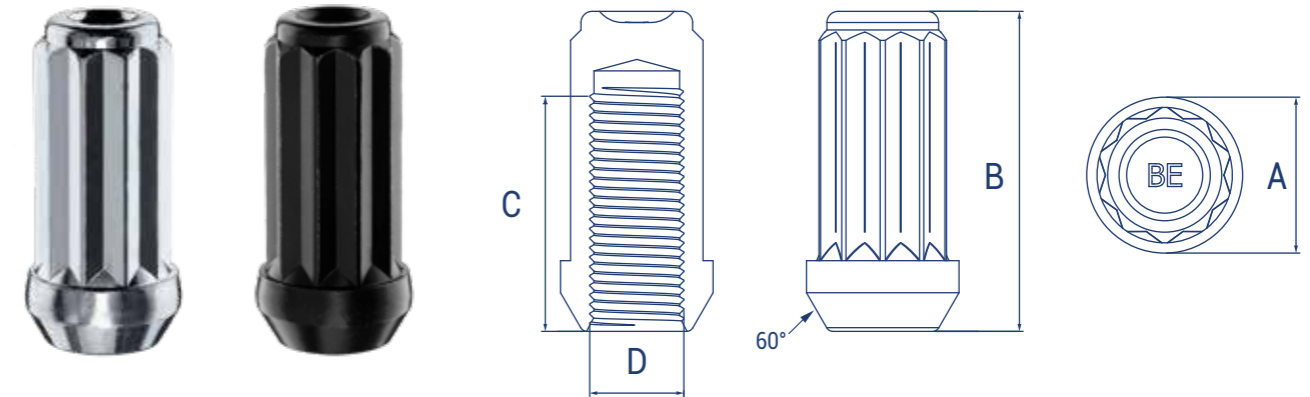
20 mm OUTSIDE DIAMETER
34 mm LENGTH



Part nr.	A	B	C	D	Type	Seat	Quality Class	Surface	Res. to corrosion
TN20A34	20	34	26	M12x1.5	CLOSED	60°	8	Zn White	>96h SST
TN20A34-ZNNI	20	34	26	M12x1.5	CLOSED	60°	8	ZnNI Black	>500h SST
TN20B34	20	34	26	M12x1.25	CLOSED	60°	8	Zn White	>96h SST
TN20B34-ZNNI	20	34	26	M12x1.25	CLOSED	60°	8	ZnNI Black	>500h SST
TN20E34	20	34	26	1/2 UNF	CLOSED	60°	8	Zn White	>96h SST
TN20E34-ZNNI	20	34	26	1/2 UNF	CLOSED	60°	8	ZnNI Black	>500h SST
TN20U34	20	34	26	7/16 UNF	CLOSED	60°	8	Zn White	>96h SST
TN20U34-ZNNI	20	34	26	7/16 UNF	CLOSED	60°	8	ZnNI Black	>500h SST

TUNER NUTS

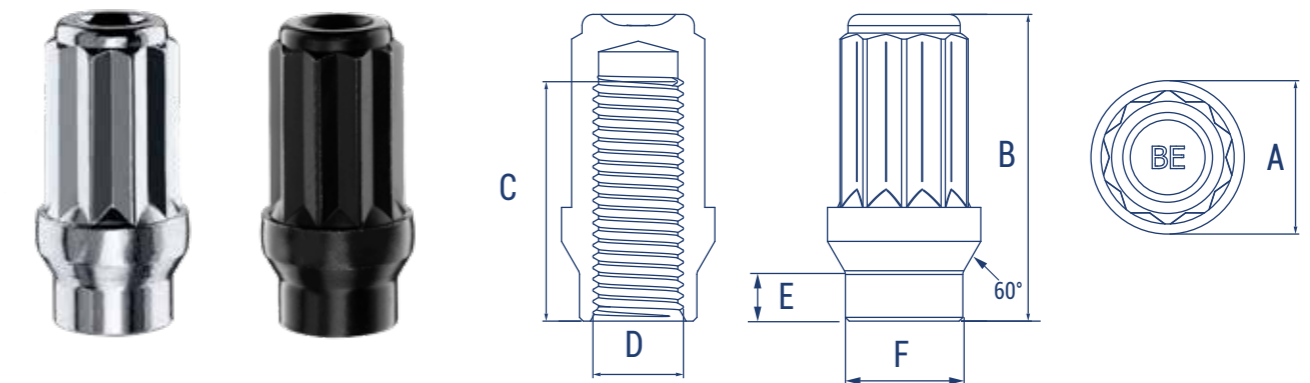
20 mm OUTSIDE DIAMETER
43 mm LENGTH



Part nr.	A	B	C	D	Type	Seat	Quality Class	Surface	Res. to corrosion
TN20A43 *	20	43	32	M12x1.5	CLOSED	60°	8	Zn White	>96h SST
TN20A43-ZNNI *	20	43	32	M12x1.5	CLOSED	60°	8	ZnNI Black	>500h SST
TN20B43 *	20	43	32	M12x1.25	CLOSED	60°	8	Zn White	>96h SST
TN20B43-ZNNI *	20	43	32	M12x1.25	CLOSED	60°	8	ZnNI Black	>500h SST
TN20E43	20	43	32	1/2 UNF	CLOSED	60°	8	Zn White	>96h SST
TN20E43-ZNNI	20	43	32	1/2 UNF	CLOSED	60°	8	ZnNI Black	>500h SST

* On request

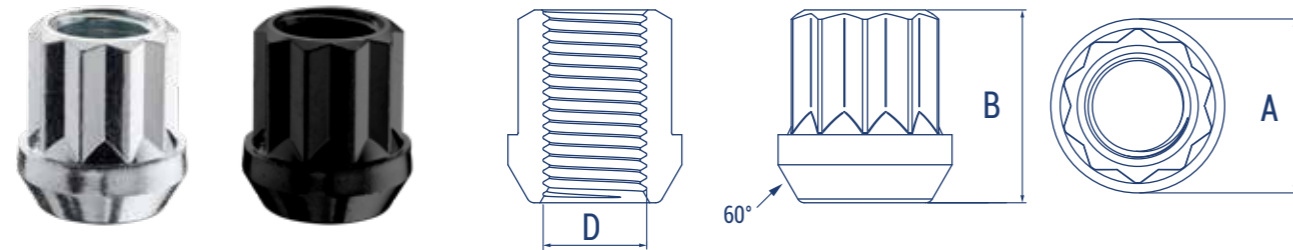
20 mm OUTSIDE DIAMETER
41 mm LENGTH w/ SHANK



Part nr.	A	B	C	D	E	F	Type	Seat	Quality Class	Surface	Res. to corrosion
TNC20A41	20	41	32	M12x1.5	6.5	15.7	CLOSED	60°	8	Zn White	>96h SST
TNC20A41-ZNNI	20	41	32	M12x1.5	6.5	15.7	CLOSED	60°	8	ZnNI Black	>500h SST
TNC20B41	20	41	32	M12x1.25	6.5	15.7	CLOSED	60°	8	Zn White	>96h SST
TNC20B41-ZNNI	20	41	32	M12x1.25	6.5	15.7	CLOSED	60°	8	ZnNI Black	>500h SST
TNC20E41	20	41	32	1/2 UNF	6.5	15.7	CLOSED	60°	8	Zn White	>96h SST
TNC20E41-ZNNI	20	41	32	1/2 UNF	6.5	15.7	CLOSED	60°	8	ZnNI Black	>500h SST

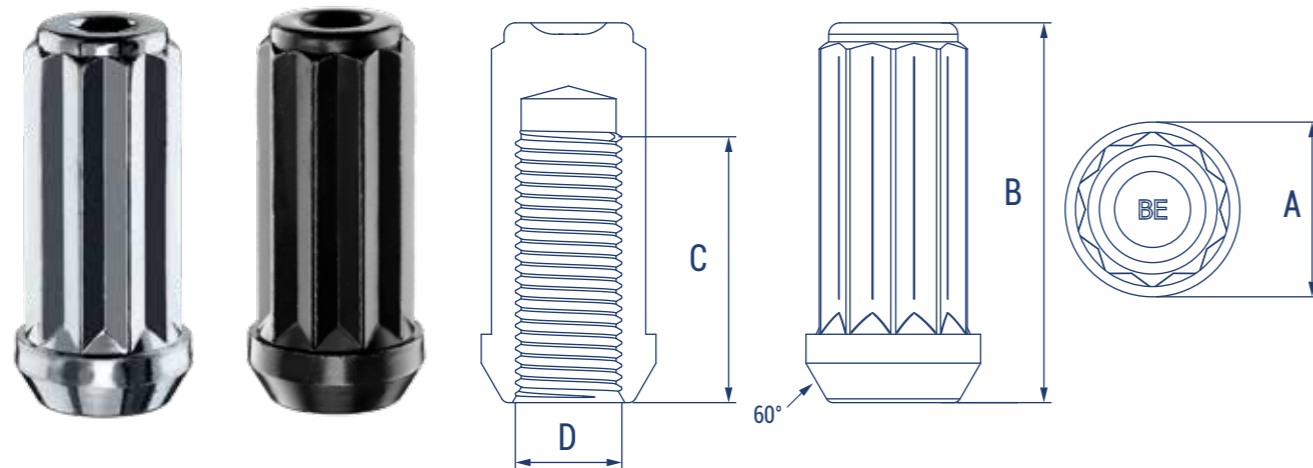
TUNER NUTS

23 mm OUTSIDE DIAMETER
26 mm LENGTH



Part nr.	A	B	D	Type	Seat	Quality Class	Surface	Res. to corrosion
TN23D26OP	23	26	M14x1.5	OPEN	60°	8	Zn White	>96h SST
TN23D26OP-ZNN	23	26	M14x1.5	OPEN	60°	8	ZnNI Black	>500h SST
TN23H26OP	23	26	9/16 UNF	OPEN	60°	8	Zn White	>96h SST
TN23H26OP-ZNN	23	26	9/16 UNF	OPEN	60°	8	ZnNI Black	>500h SST
TN23L26OP	23	26	M14x2	OPEN	60°	8	Zn White	>96h SST
TN23L26OP-ZNN	23	26	M14x2	OPEN	60°	8	ZnNI Black	>500h SST

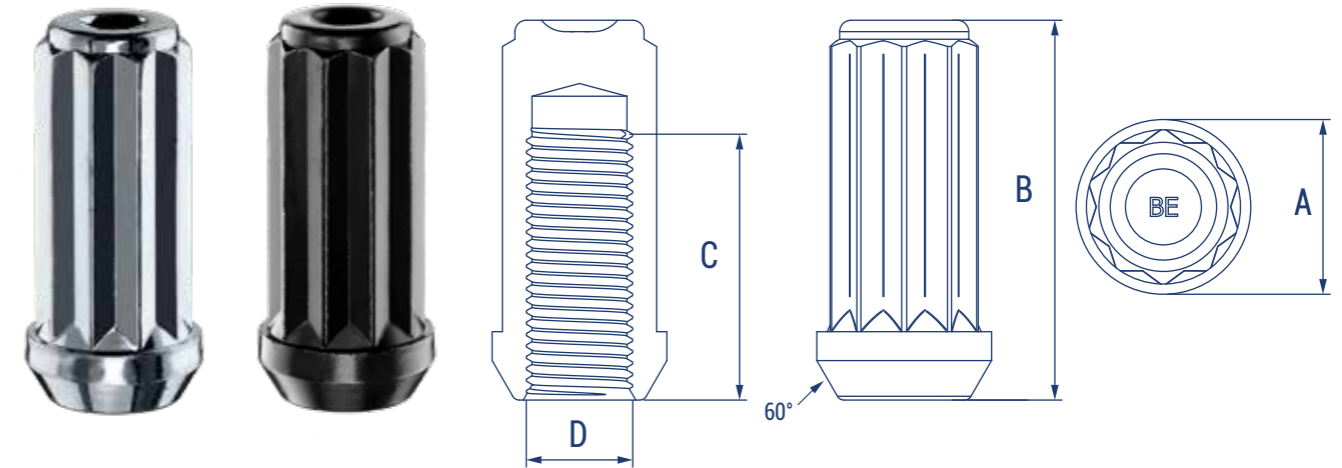
23 mm OUTSIDE DIAMETER
50 mm LENGTH



Part nr.	A	B	C	D	Type	Seat	Quality Class	Surface	Res. to corrosion
TN23D50	23	50	35	M14x1.5	CLOSED	60°	8	Zn White	>96h SST
TN23D50-ZNNI	23	50	35	M14x1.5	CLOSED	60°	8	ZnNI Black	>500h SST
TN23H50	23	50	35	9/16 UNF	CLOSED	60°	8	Zn White	>96h SST
TN23H50-ZNNI	23	50	35	9/16 UNF	CLOSED	60°	8	ZnNI Black	>500h SST
TN23L50	23	50	35	M14x2	CLOSED	60°	8	Zn White	>96h SST
TN23L50-ZNNI	23	50	35	M14x2	CLOSED	60°	8	ZnNI Black	>500h SST

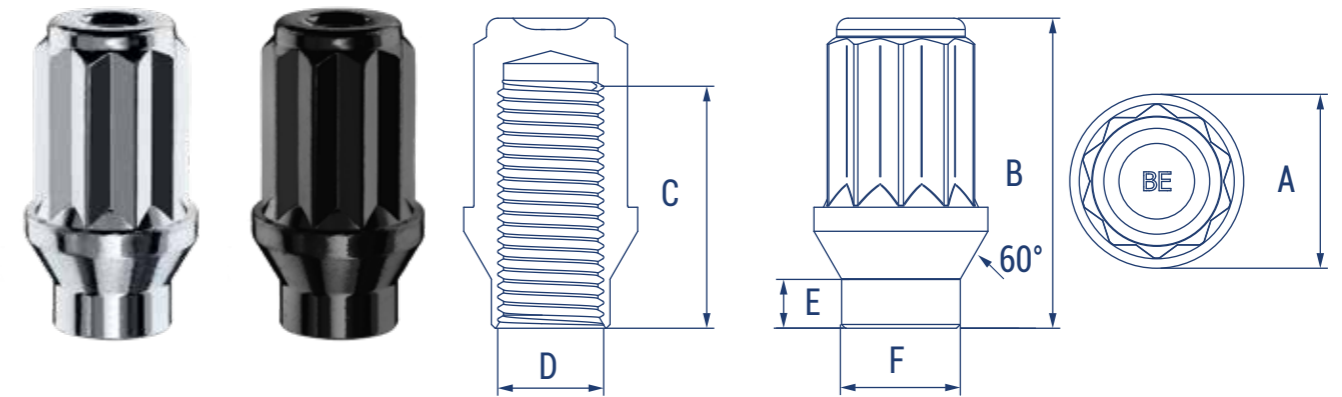
TUNER NUTS

23 mm OUTSIDE DIAMETER
55 mm LENGTH



Part nr.	A	B	C	D	Type	Seat	Quality Class	Surface	Res. to corrosion
TN23D55	23	55	43	M14x1.5	CLOSED	60°	8	Zn White	>96h SST
TN23D55-ZNNI	23	55	43	M14x1.5	CLOSED	60°	8	ZnNI Black	>500h SST
TN23H55	23	55	43	9/16 UNF	CLOSED	60°	8	Zn White	>96h SST
TN23H55-ZNNI	23	55	43	9/16 UNF	CLOSED	60°	8	ZnNI Black	>500h SST
TN23L55	23	55	43	M14x2	CLOSED	60°	8	Zn White	>96h SST
TN23L55-ZNNI	23	55	43	M14x2	CLOSED	60°	8	ZnNI Black	>500h SST

23 mm OUTSIDE DIAMETER
41 mm LENGTH w/ SHANK



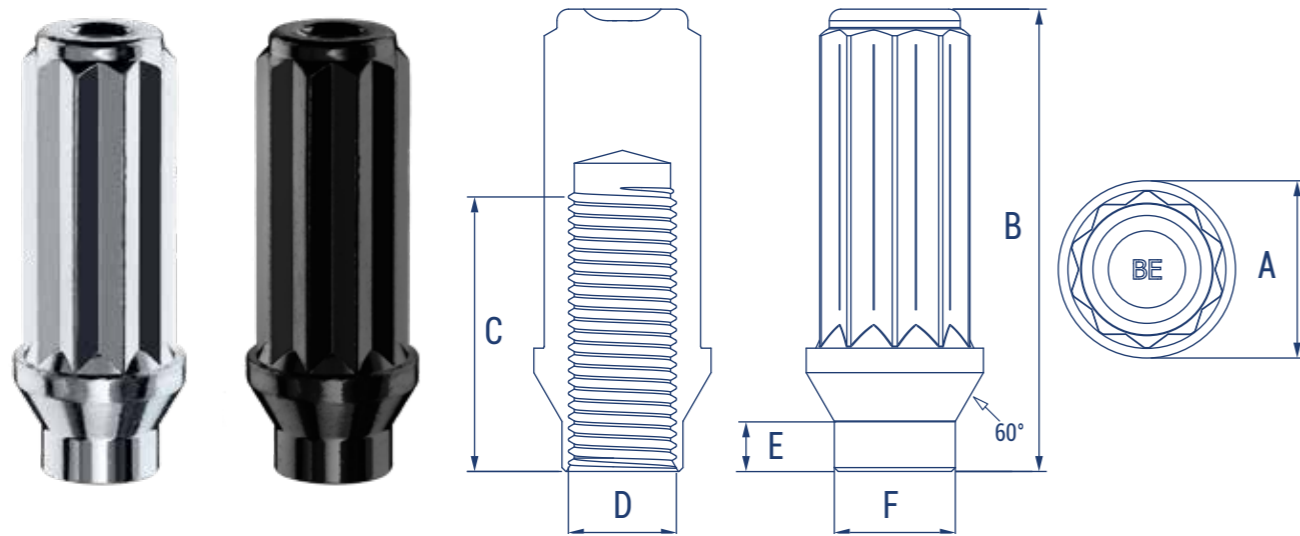
Part nr.	A	B	C	D	E	F	Type	Seat	Quality Class	Surface	Res. to corrosion
TNC23D41	23	41	32	M14x1.5	6.5	15.7	CLOSED	60°	8	Zn White	>96h SST
TNC23D41-ZNNI	23	41	32	M14x1.5	6.5	15.7	CLOSED	60°	8	ZnNI Black	>500h SST
TNC23L41 *	23	41	32	M14x2	6.5	15.7	CLOSED	60°	8	Zn White	>96h SST
TNC23L41-ZNNI *	23	41	32	M14x2	6.5	15.7	CLOSED	60°	8	ZnNI Black	>500h SST

* On request

TUNER NUTS

HEX21 WITH MOVING WASHER

60 mm LENGTH w/ SHANK

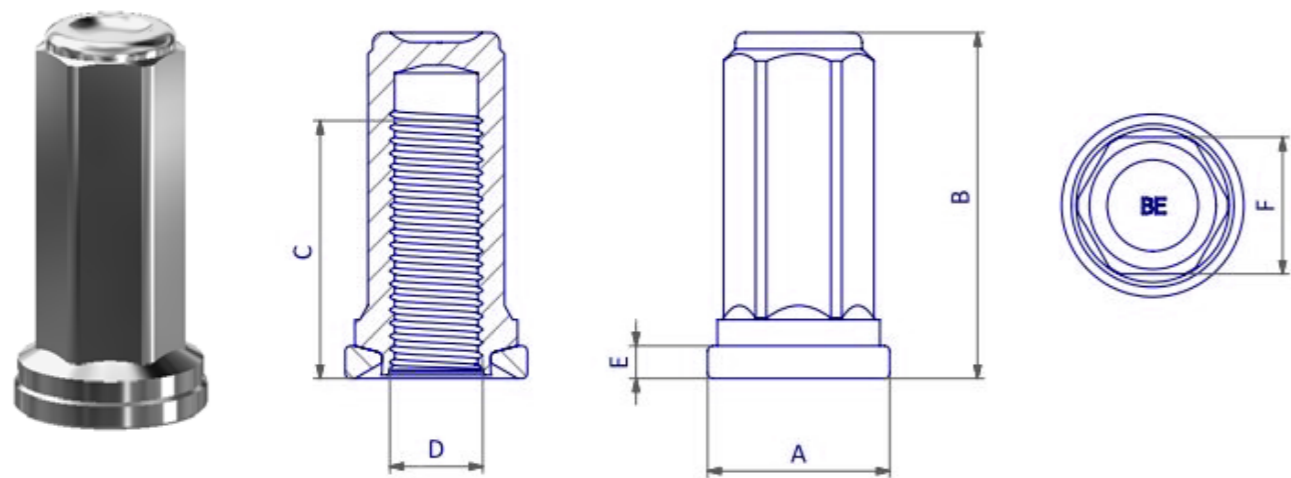


Part nr.	A	B	C	D	E	F	Type	Seat	Quality Class	Surface	Res. to corrosion
TNC23D60	23	60	36	M14x1.5	6.5	15.7	CLOSED	60°	8	Zn White	>96h SST
TNC23D60-ZNNI	23	60	36	M14x1.5	6.5	15.7	CLOSED	60°	8	ZnNI Black	>500h SST
TNC23L60 *	23	60	36	M14x2	6.5	15.7	CLOSED	60°	8	Zn White	>96h SST
TNC23L60-ZNNI *	23	60	36	M14x2	6.5	15.7	CLOSED	60°	8	ZnNI Black	>500h SST

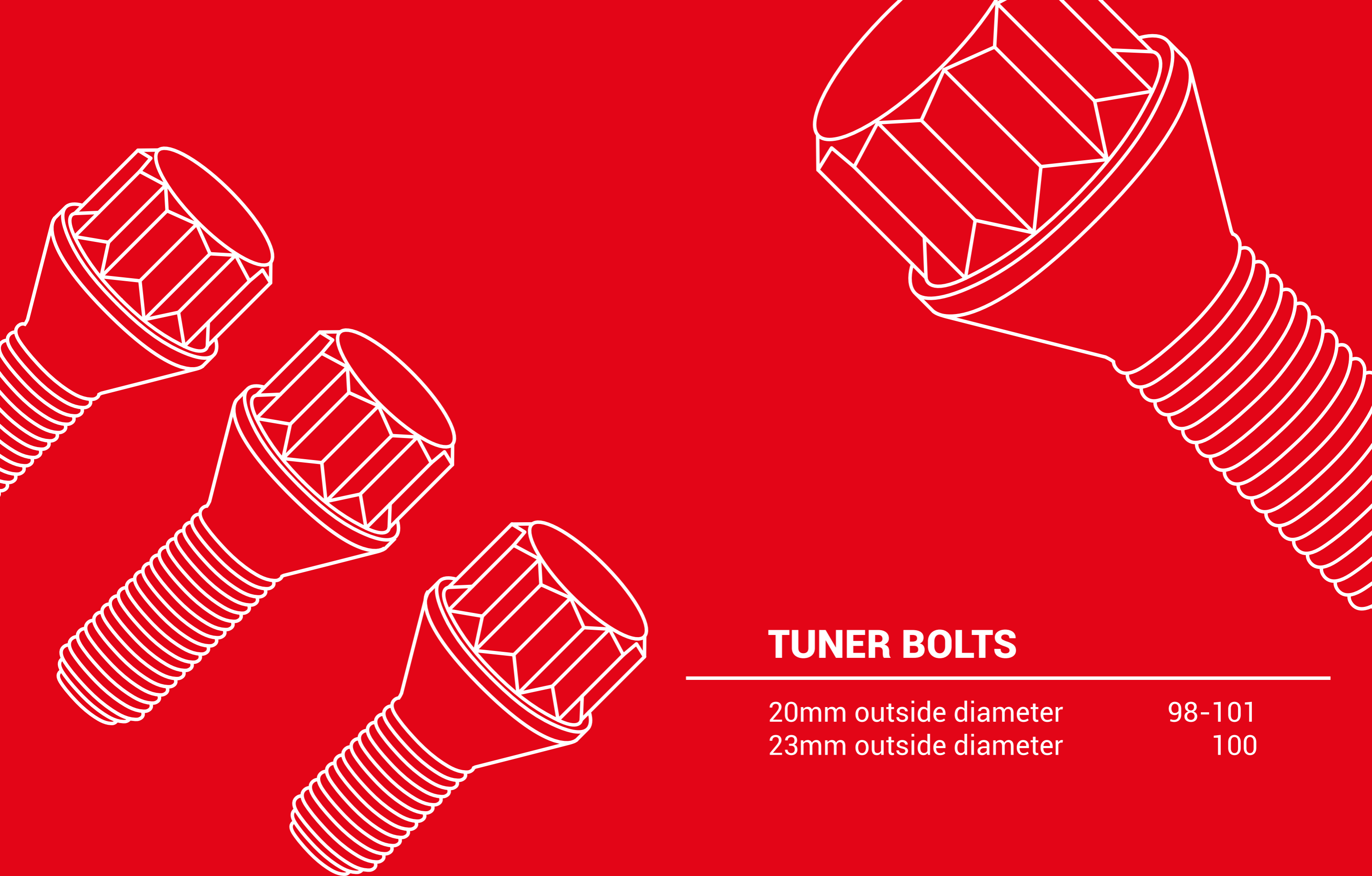
* On request

HEX21 WITH MOVING WASHER

50 mm LENGTH



Part nr.	A	B	C	D	E	F	Type	Seat	Quality Class	Surface	Res. to corrosion
DFDX2-55	28	53	40.5	M14x2	5	21	CLOSED	FLAT	8	Zn White	>96h SST



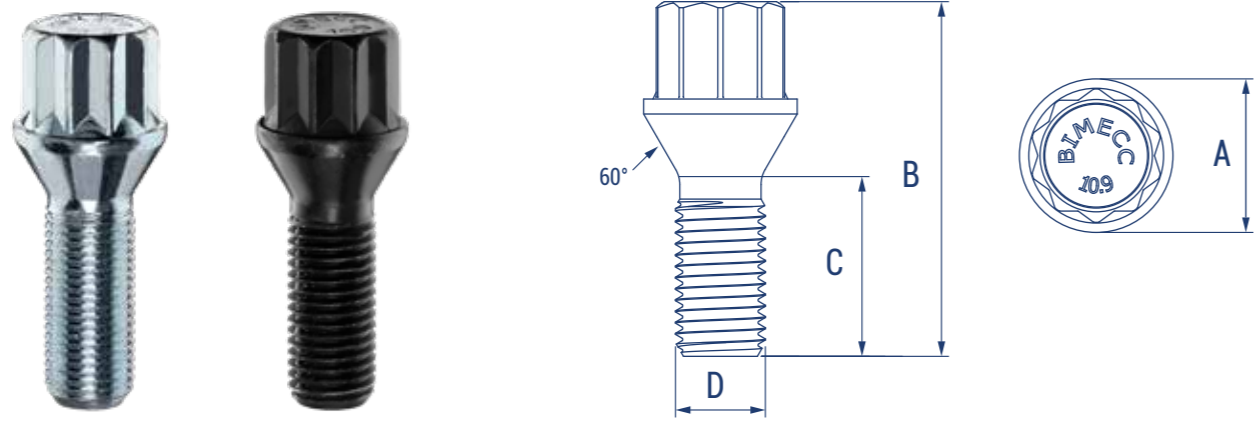
TUNER BOLTS

20mm outside diameter
23mm outside diameter

98-101
100

TUNER BOLTS

20 mm OUTSIDE DIAMETER
M 12



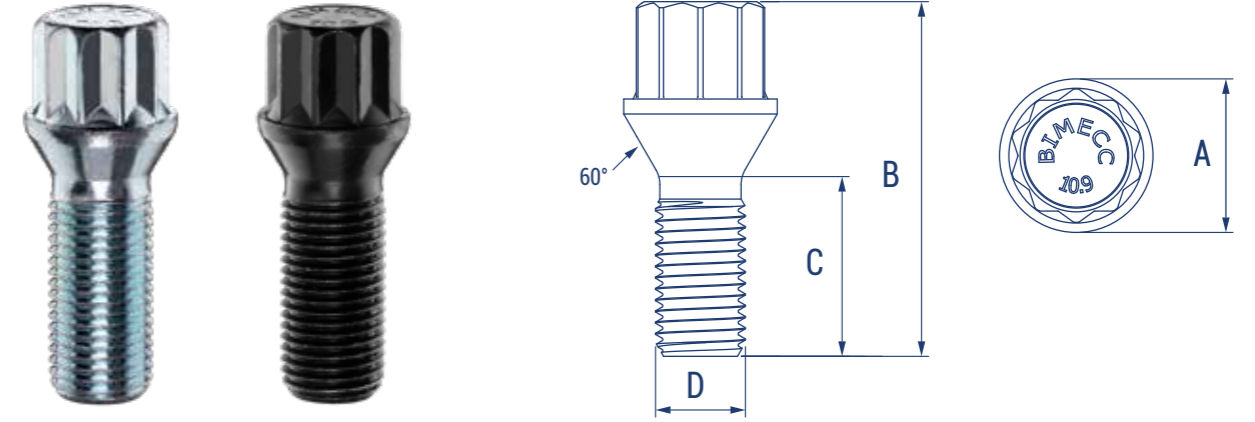
Part nr.	A	B	C	D	Seat	Quality Class	Surface	Res. to corrosion
TB20A24	20	47.4	24	M12x1.5	60°	10.9	Zn White	>96h SST
TB20A24-ZNNI	20	47.4	24	M12x1.5	60°	10.9	ZnNI Black	>500h SST
TB20A26 *	20	49.4	26	M12x1.5	60°	10.9	Zn White	>96h SST
TB20A26-ZNNI *	20	49.4	26	M12x1.5	60°	10.9	ZnNI Black	>500h SST
TB20A28	20	51.4	28	M12x1.5	60°	10.9	Zn White	>96h SST
TB20A28-ZNNI	20	51.4	28	M12x1.5	60°	10.9	ZnNI Black	>500h SST
TB20B24 *	20	47.2	24	M12x1.25	60°	10.9	Zn White	>96h SST
TB20B24-ZNNI *	20	47.2	24	M12x1.25	60°	10.9	ZnNI Black	>500h SST
TB20B26 *	20	49.2	26	M12x1.25	60°	10.9	Zn White	>96h SST
TB20B26-ZNNI *	20	49.2	26	M12x1.25	60°	10.9	ZnNI Black	>500h SST
TB20B28	20	51.2	28	M12x1.25	60°	10.9	Zn White	>96h SST
TB20B28-ZNNI	20	51.2	28	M12x1.25	60°	10.9	ZnNI Black	>500h SST

* On request



TUNER BOLTS

20 mm OUTSIDE DIAMETER
M 14



Part nr.	A	B	C	D	Seat	Quality Class	Surface	Res. to corrosion
TB20D26	20	47.6	26	M14x1.5	60°	10.9	Zn White	>96h SST
TB20D26-ZNNI	20	47.6	26	M14x1.5	60°	10.9	ZnNI Black	>500h SST
TB20D28 *	20	49.6	28	M14x1.5	60°	10.9	Zn White	>96h SST
TB20D28-ZNNI *	20	49.6	28	M14x1.5	60°	10.9	ZnNI Black	>500h SST
TB20D30	20	51.6	30	M14x1.5	60°	10.9	Zn White	>96h SST
TB20D30-ZNNI	20	51.6	30	M14x1.5	60°	10.9	ZnNI Black	>500h SST
TB20D33	20	54.6	33	M14x1.5	60°	10.9	Zn White	>96h SST
TB20D33-ZNNI	20	54.6	33	M14x1.5	60°	10.9	ZnNI Black	>500h SST
TB20F25	20	46.5	25	M14x1.25	60°	10.9	Zn White	>96h SST
TB20F25-ZNNI	20	46.5	25	M14x1.25	60°	10.9	ZnNI Black	>500h SST
TB20F27 *	20	48.5	27	M14x1.25	60°	10.9	Zn White	>96h SST
TB20F27-ZNNI *	20	48.5	27	M14x1.25	60°	10.9	ZnNI Black	>500h SST
TB20F30	20	51.5	30	M14x1.25	60°	10.9	Zn White	>96h SST
TB20F30-ZNNI	20	51.5	30	M14x1.25	60°	10.9	ZnNI Black	>500h SST

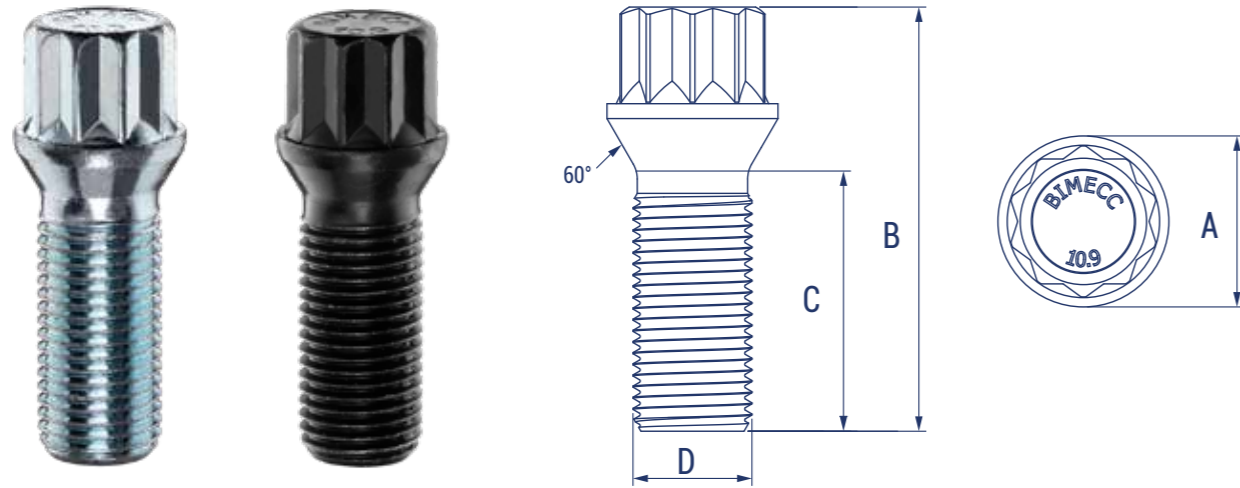
* On request



TUNER BOLTS

23 mm OUTSIDE DIAMETER

M 16

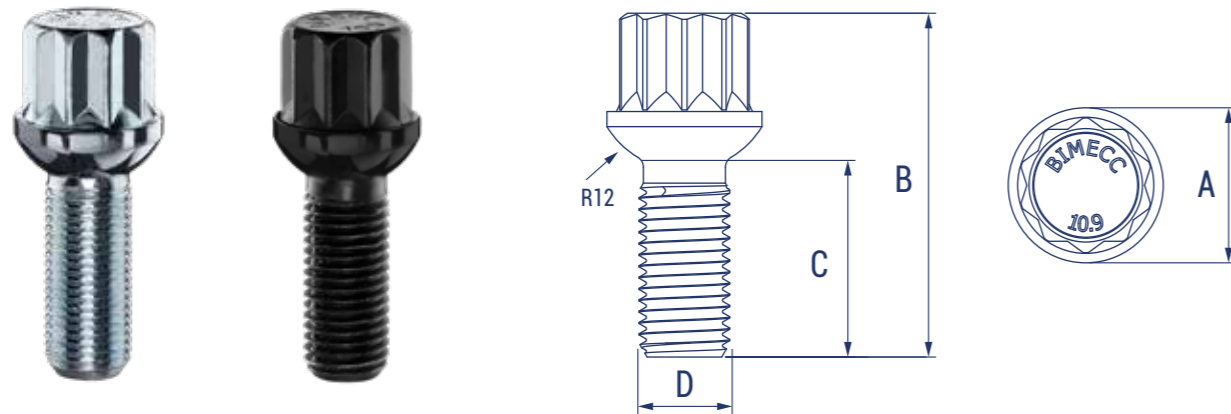


Part nr.	A	B	C	D	Seat	Quality Class	Surface	Res. to corrosion
TB23J35 *	23	57.1	35	M16x1.5	60°	10.9	Zn White	>96h SST
TB23J35-ZNNI *	23	57.1	35	M16x1.5	60°	10.9	ZnNI Black	>500h SST

* On request

20 mm OUTSIDE DIAMETER

M 12 RADIUS 12



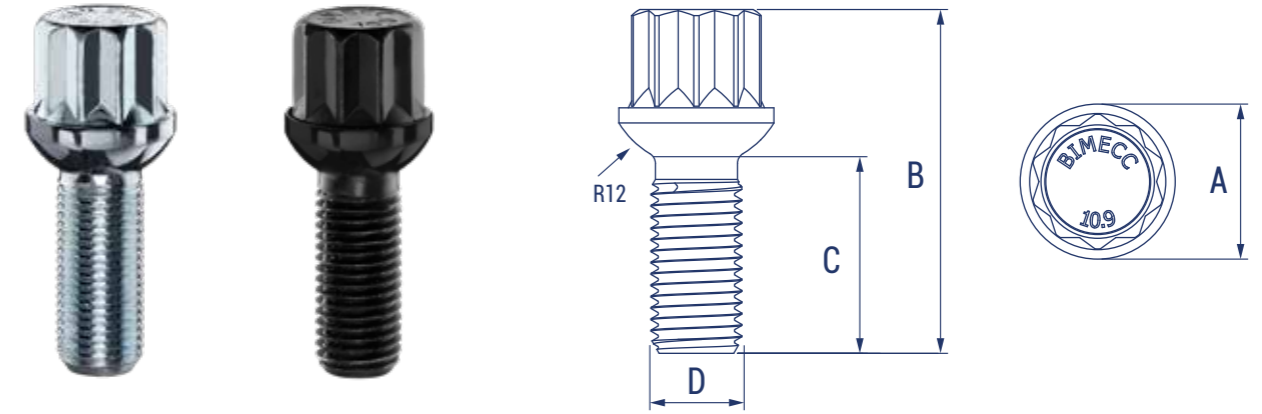
Part nr.	A	B	C	D	Seat	Quality Class	Surface	Res. to corrosion
TB20A26R *	20	45.5	26	M12x1.5	Radius 12	10.9	Zn White	>96h SST
TB20A26R-ZNNI *	20	45.5	26	M12x1.5	Radius 12	10.9	ZnNI Black	>500h SST
TB20A28R *	20	47.5	28	M12x1.5	Radius 12	10.9	Zn White	>96h SST
TB20A28R-ZNNI *	20	47.5	28	M12x1.5	Radius 12	10.9	ZnNI Black	>500h SST

* On request

TUNER BOLTS

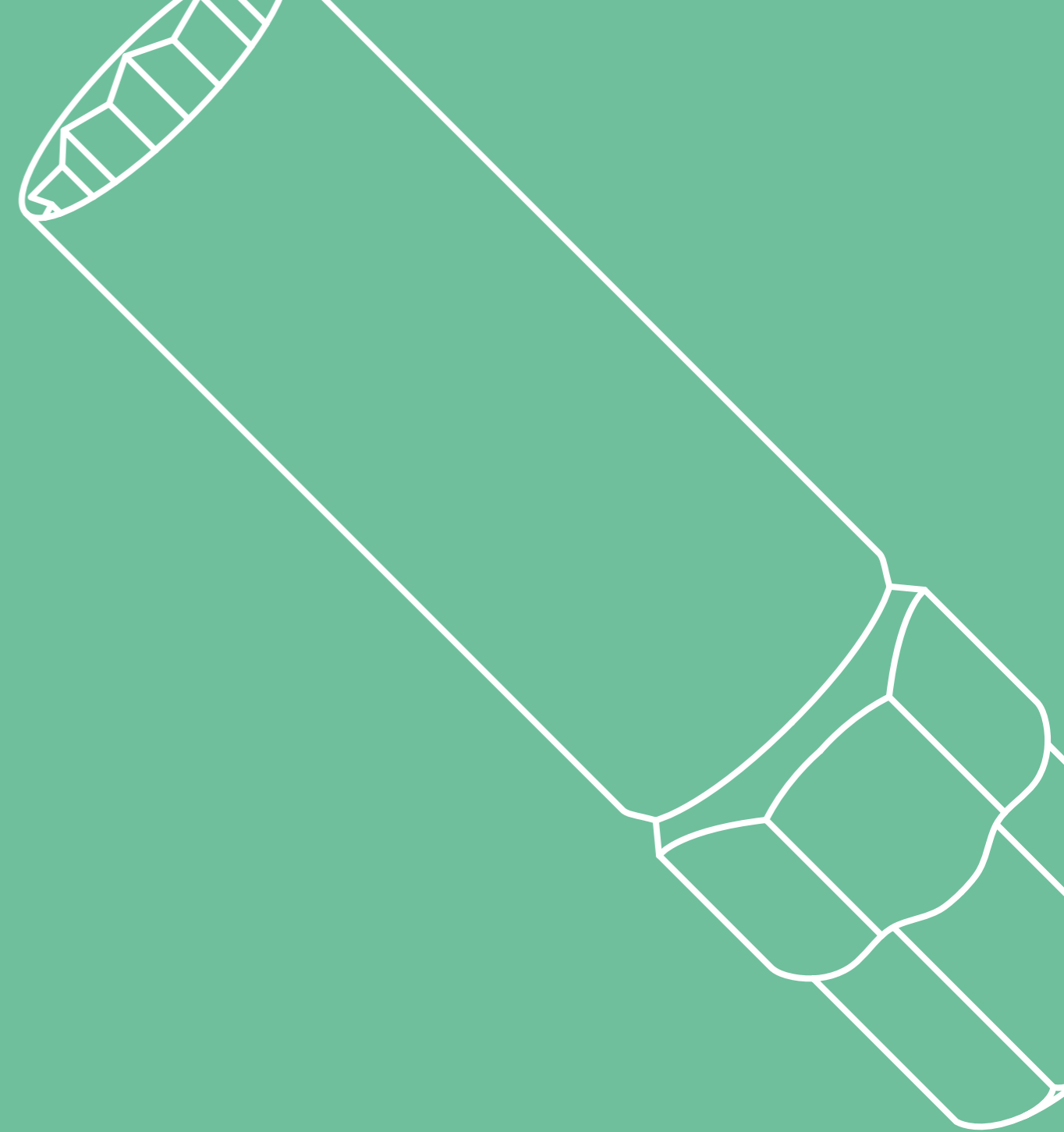
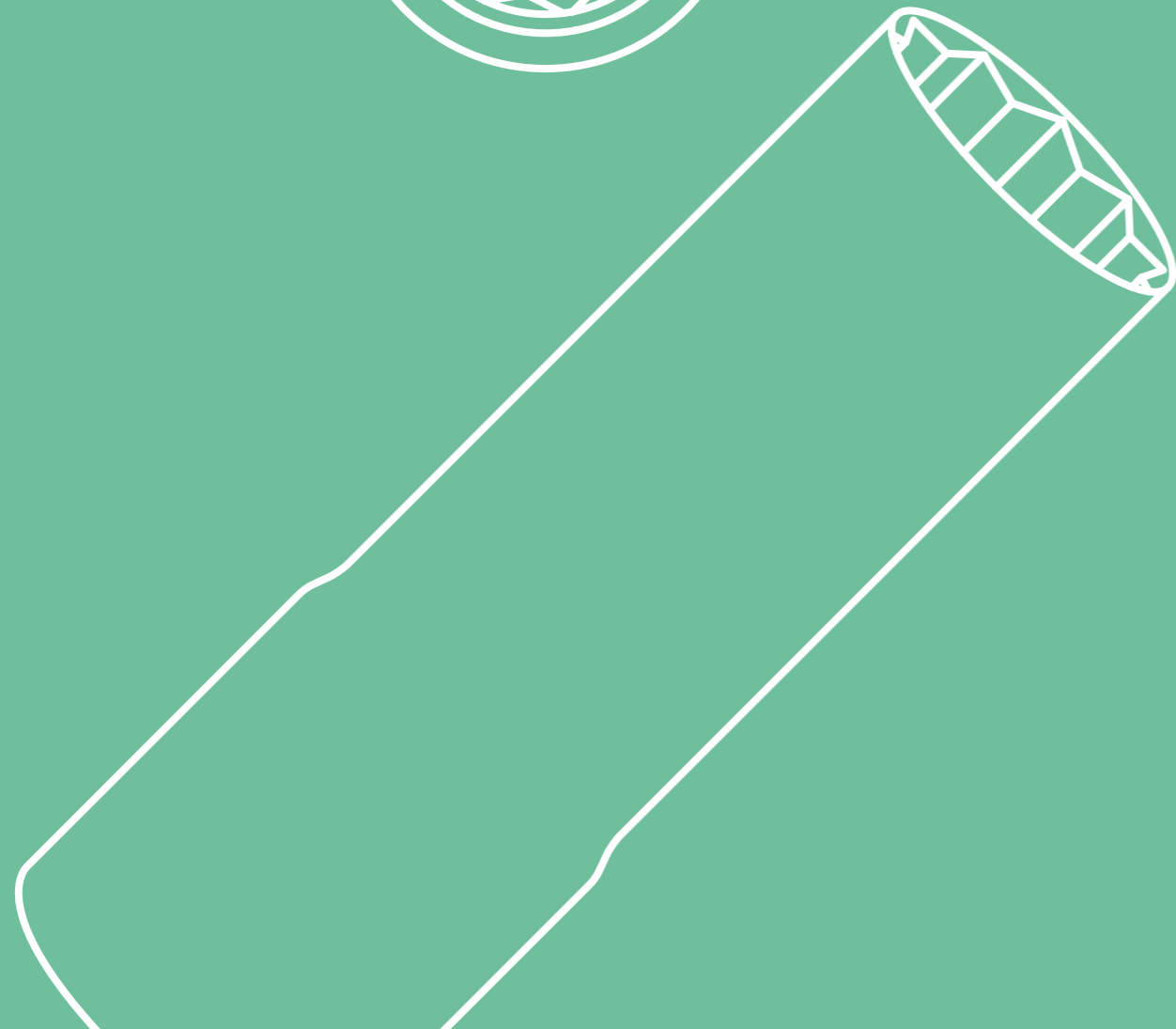
20 mm OUTSIDE DIAMETER

M 14 RADIUS 12



Part nr.	A	B	C	D	Seat	Quality Class	Surface	Res. to corrosion
TB20D27R *	20	45.9	27	M14x1.5	Radius 12	10.9	Zn White	>96h SST
TB20D27R-ZNNI *	20	45.9	27	M14x1.5	Radius 12	10.9	ZnNI Black	>500h SST
TB20D30R *	20	48.9	30	M14x1.5	Radius 12	10.9	Zn White	>96h SST
TB20D30R-ZNNI *	20	48.9	30	M14x1.5	Radius 12	10.9	ZnNI Black	>500h SST

* On request



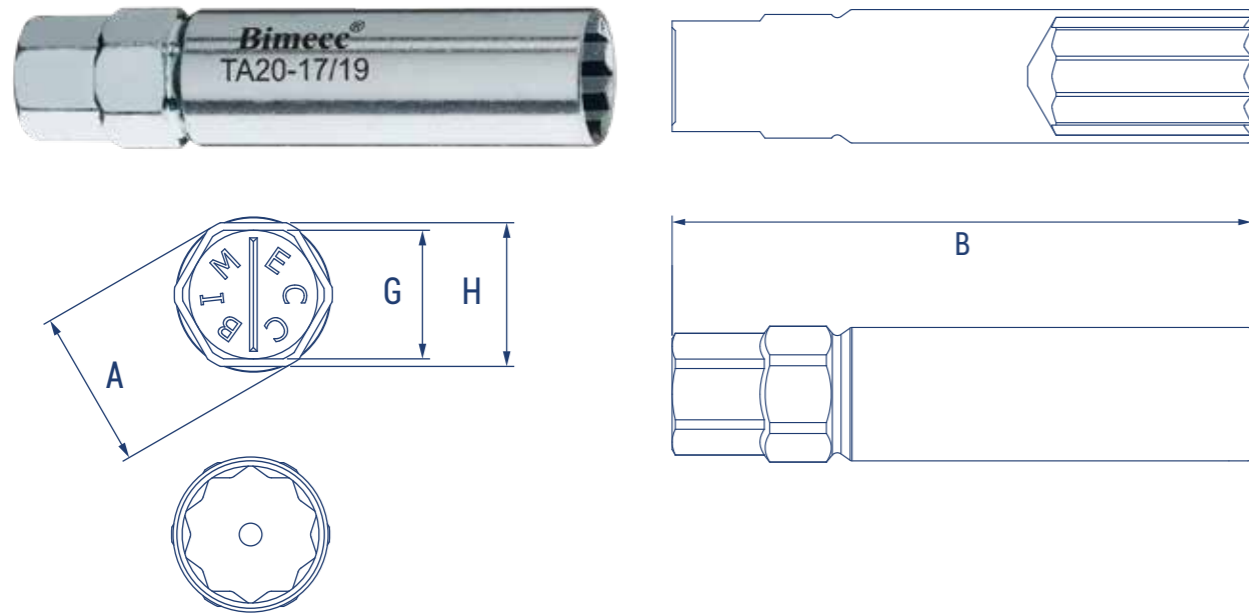
ACCESSORIES

Tuner Lug Adaptors

104-106

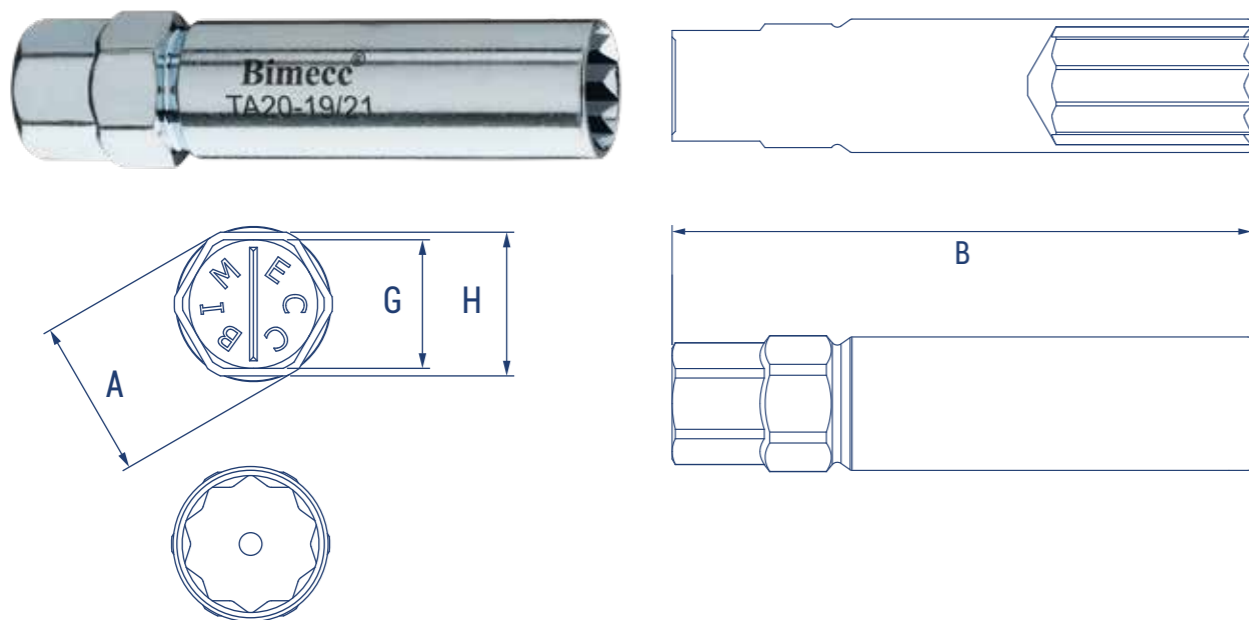
ACCESSORIES

20 mm OUTSIDE DIAMETER
17 - 19 mm HEX



Part nr.	A	B	G	H	Quality Class	Surface	Res. to corrosion
TA20-1719	20	89	17	19	10.9	Zn White	>96h SST

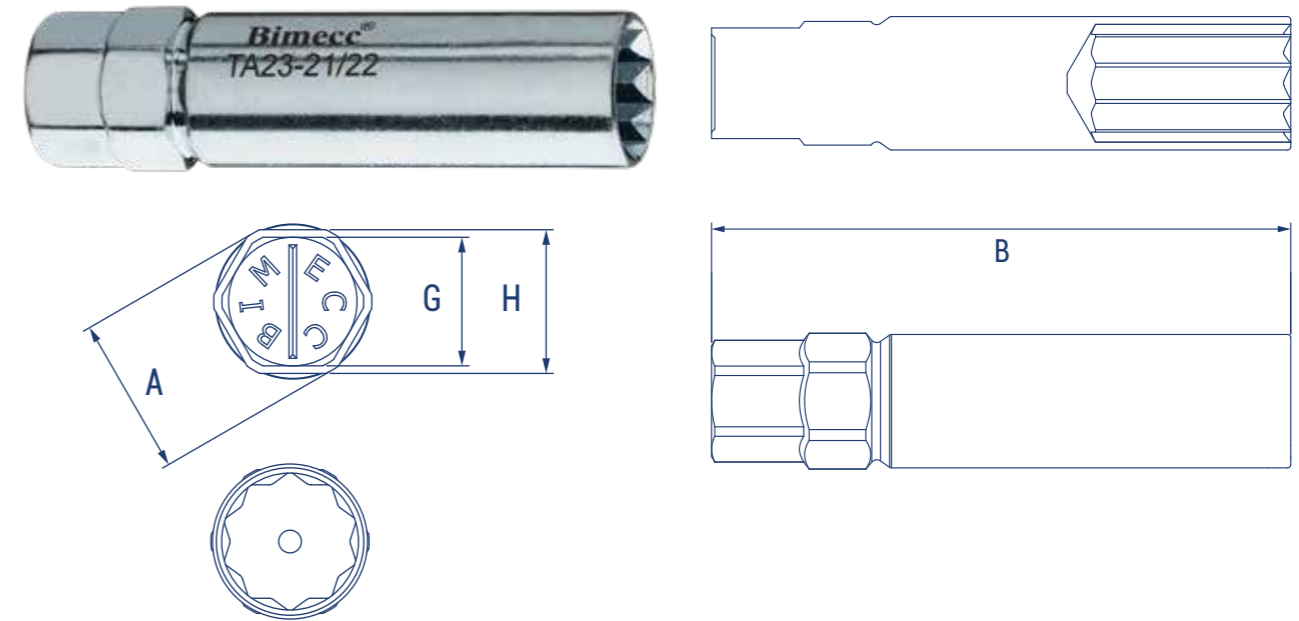
20 mm OUTSIDE DIAMETER
19 - 21 mm HEX



Part nr.	A	B	G	H	Quality Class	Surface	Res. to corrosion
TA20-1921	20	89	19	21	10.9	Zn White	>96h SST

ACCESSORIES

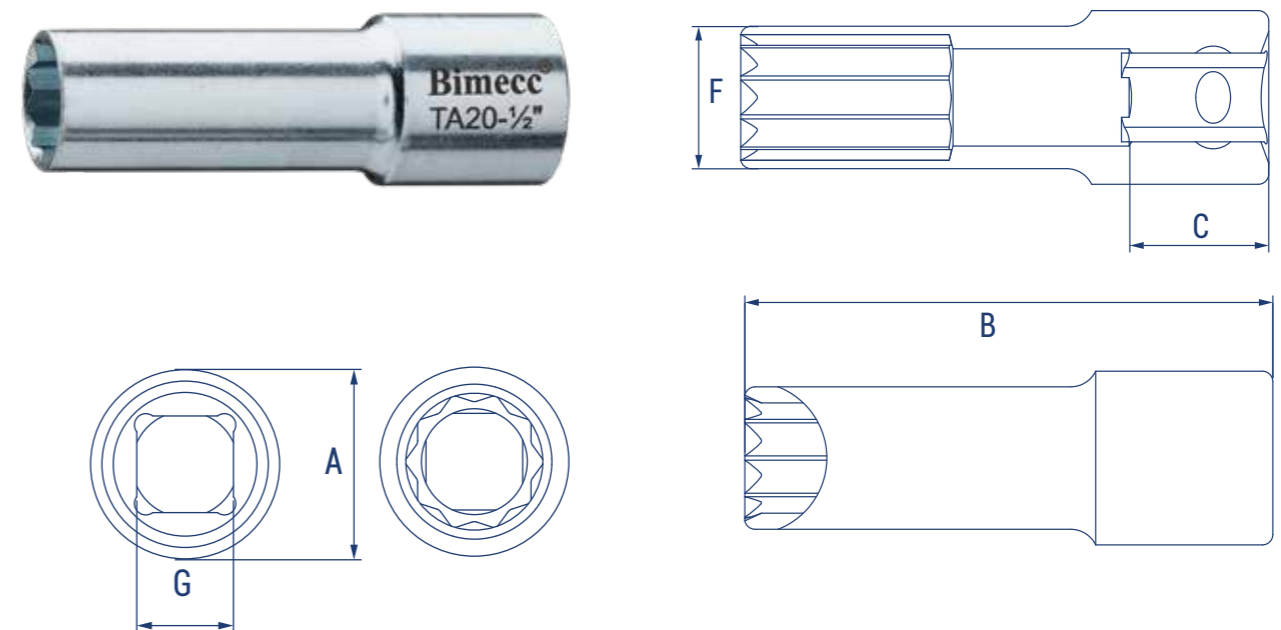
23 mm OUTSIDE DIAMETER
21 - 22 mm HEX



Part nr.	A	B	G	H	Quality Class	Surface	Res. to corrosion
TA23-2122	23	90	21	22	10.9	Zn White	>96h SST

20 mm OUTSIDE DIAMETER

ALSO AVAILABLE IN BLACK



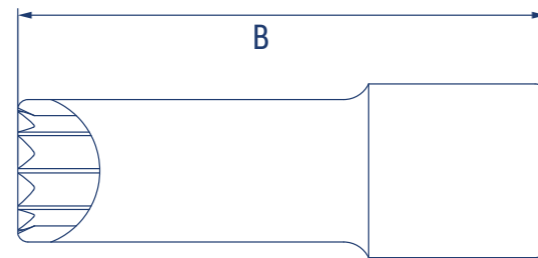
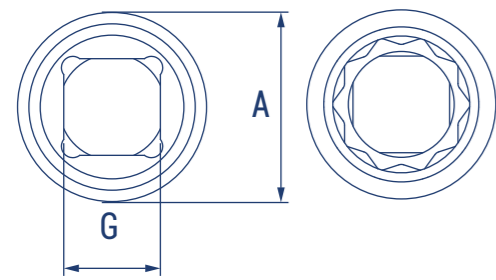
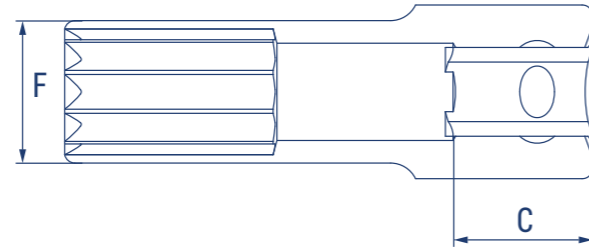
Part nr.	A	B	C	F	G	Surface	Res. to corrosion
TA20-1/2"	25	76	16	20	1/2"	Zn White	>96h SST

ACCESSORIES

20 mm OUTSIDE DIAMETER

17 - 19 mm HEX

ALSO AVAILABLE IN BLACK



Part nr.	A	B	C	F	G	Surface	Res. to corrosion
TA23-1/2"	25	76	16	23	1/2"	Zn White	>96h SST

Archita



DESIGN

The manufacture of a simple screw requires a highly specialised understanding of materials, manufacturing processes, technical details, product specifications, end uses, sealing and fastening properties, and life expectancy. Each Archita product reveals the skill of our technical department, which designs every single screw down to the smallest detail.



RELIABILITY

In order to guarantee an impeccable finished product, Vitop manages the entire manufacturing process directly in-house, from rod drawing to the finished product, including the final galvanising and coating treatments. We are able to do this thanks to our range of cutting-edge, high quality, electronically controlled automatic machinery.



QUALITY

The extremely high quality of its screws has placed Archita at the top of its sector for reliability on an international level. This is thanks to the "complete service" that we provide, from design to manufacture, which strives for "absolute quality" at each stage of the process.



ZERO WASTE

Archita has always made the reliability and quality of the finished product its main strength. This is why company resources are often assigned to investments aimed at constantly improving quality and precisely monitoring the various stages of the manufacturing process.



MADE TO MEASURE

The world of manufacturing today requires a careful dialogue with customers spread across the world who make decisions based not only on the products and their cost price, but also on the supplying company's ability to assist them step by step. Archita is able to offer a true "made to measure" product by efficiently combining technologies and solutions.



THE RANGE

Archita produces all kinds of screws, using a vast range of different materials: from carbon steel alloys to stainless steel, from copper to aluminium. Its broad manufacturing versatility makes Archita a reliable partner for companies that manufacture high-technology goods.

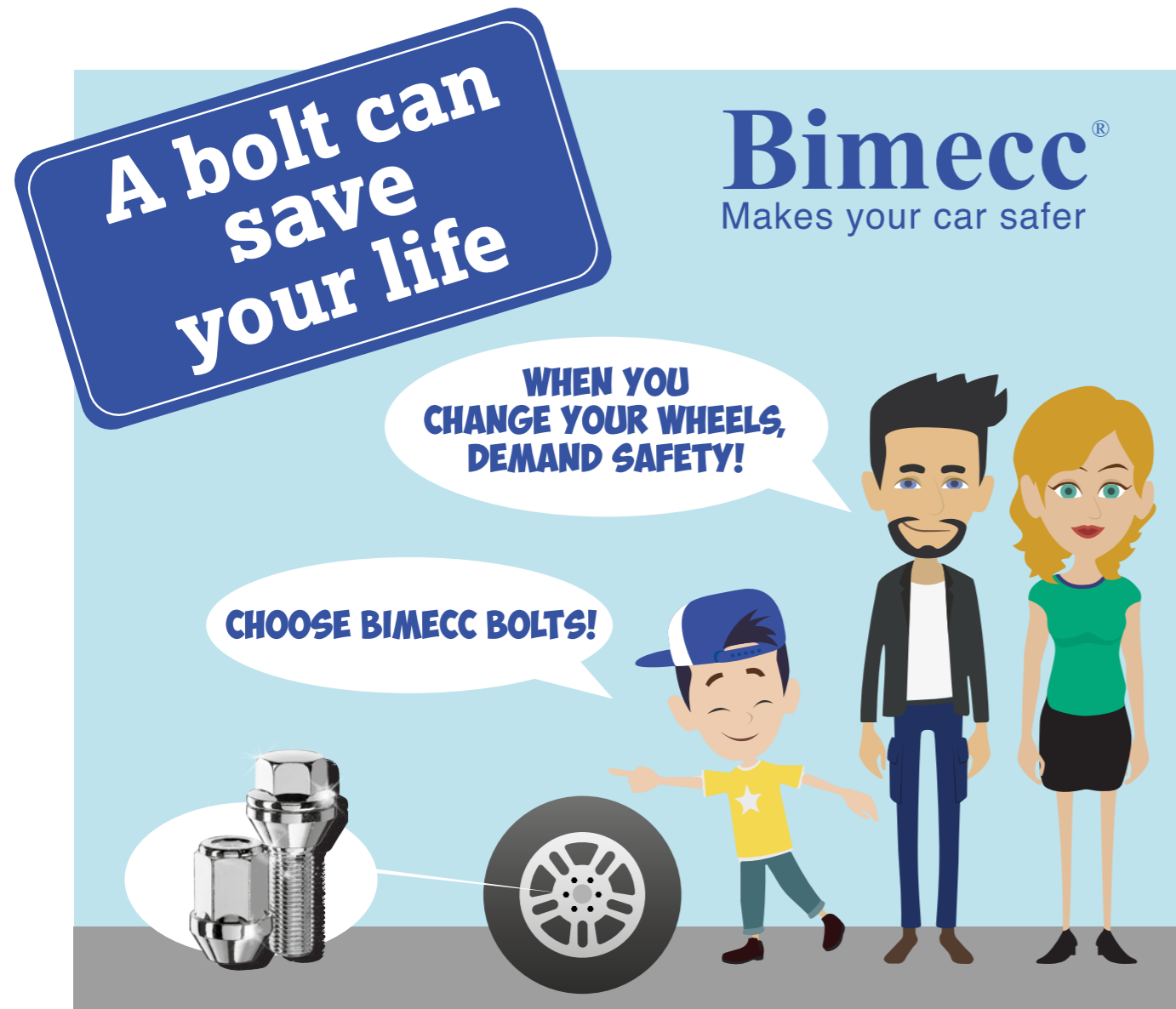
PRODUCTS

Archita produces all kinds of screws, using a vast range of different materials: from carbon steel alloys to stainless steel, from copper to aluminium. Its broad manufacturing versatility makes Archita a reliable partner for companies that manufacture high-technology goods.



Bimecc is focusing on a communication based on safety.

Find out more on our main social media and visit our website www.bimecc.it to see our full range of products.



Bimecc Engineering S.p.A.

Via Volta 18
35030 Veggiano (PD)
Italy
Tel. 0039 0499048311
Fax 0039 0499001738
<http://www.bimecc.it>
e-mail: sales@bimecc.it

Bimecc UK Ltd

Unit 10 Handley Page Way
Old Parkbury Lane, Colney
Street, St Albans,
Herts AL2 2DQ UK
Tel 0044 (0) 1923 855234
Fax 0044 (0) 1923 855254
e-mail: sales@bimecc.co.uk

Bimecc USA inc.

7391 Heil Avenue, Suite 105
Huntington Beach
92647 California USA
Tel 0017143751140
Fax 0017143751142
e-mail: info@bimecc-usa.com

Bimecc[®]
lug nuts & bolts